

4

3

2

1

THIS DRAWING IS UNPUBLISHED.

RELEASED FOR PUBLICATION

- . - .

LOC

DIST

REVISIONS

© COPYRIGHT - BY TYCO ELECTRONICS CORPORATION. ALL INTERNATIONAL RIGHTS RESERVED.

G

86

P

LTR

DESCRIPTION

DATE

DWN

APVD

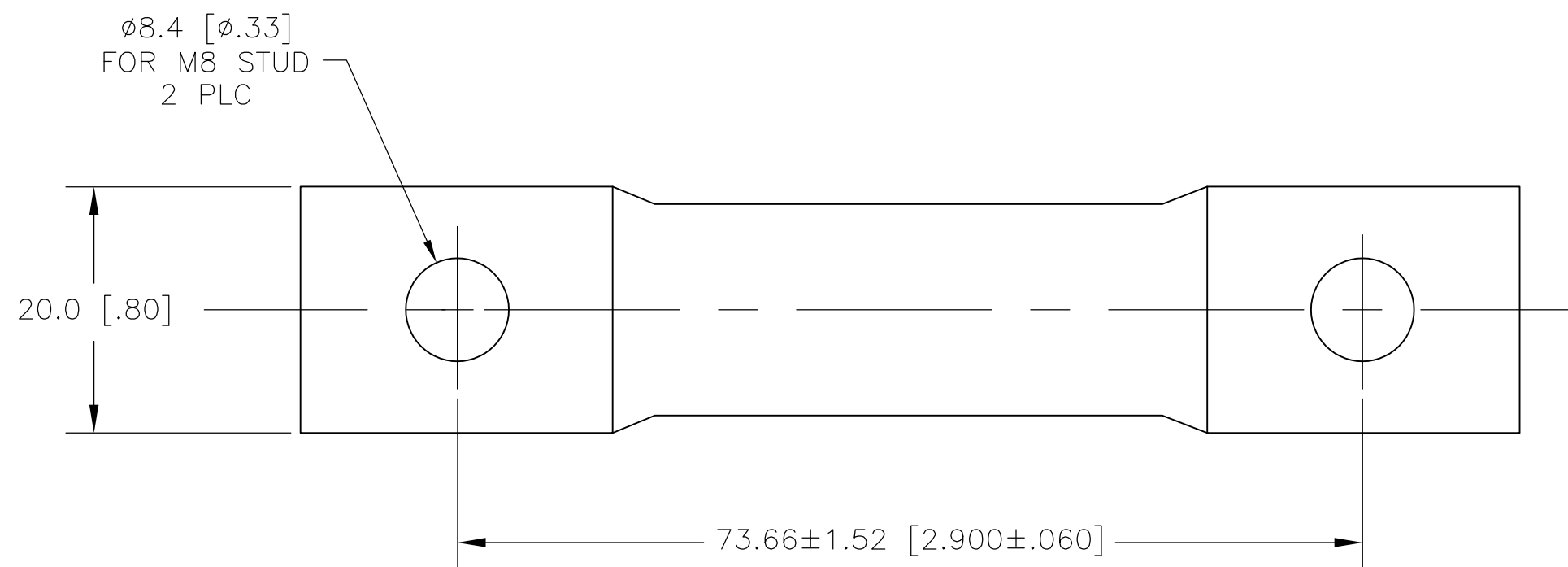
B

REVISED PER ECR-09-001663

22JAN09

JR

TM



- 1 MATERIAL: ELECTROLYTIC TINNED COPPER BRAID OR EQUIVALENT  
HIGH RESISTANCE 105°C DIELECTRIC MATERIAL
- 2 ALL SHARP EDGES BROKEN AND BURRS REMOVED
- 3 ITEM FREE OF DIRT, OIL, GREASE, AND ALL CONTAMINANTS.

1958289-1

PART NO

THIS DRAWING IS A CONTROLLED DOCUMENT.		DWN jr_ruth 19DEC08	Tyco Electronics Corporation Harrisburg, PA 17105-3608	
DIMENSIONS: mm [INCHES]		CHK TOM MICHIELUTTI 19DEC08	Tyco Electronics	
TOLERANCES UNLESS OTHERWISE SPECIFIED:		APVD TOM MICHIELUTTI 19DEC08	NAME -	
0 PLC ± -		PRODUCT SPEC	INSULATED INTERCONNECT FOR BATTERY CELL	
1 PLC ± 2.5 [.1]		APPLICATION SPEC	-	
2 PLC ± 0.25 [.010]		WEIGHT	SIZE A3	CAGE CODE 00779
3 PLC ± -		CUSTOMER DRAWING	DRAWING NO G-1958289	RESTRICTED TO -
4 PLC ± -			SCALE 2:1	SHEET 1 OF 1
ANGLES ± 5°				
MATERIAL 1	FINISH 1			