

**ebm-papst St. Georgen GmbH & Co. KG**

Hermann-Papst-Str. 1
 D-78112 St. Georgen
 Phone +49 (0) 7724 81-0
 Fax +49 (0) 7724 81-1309
 info2@de.ebmpapst.com
 www.ebmpapst.com

Nominal data

| Type | ACI 4420 HH | |
|--------------------------|-------------------|------------|
| Phase | | 1~ |
| Nominal voltage | VAC | 230 |
| Nominal voltage range | VAC | 195 .. 265 |
| Method of obtaining data | | fa |
| Speed (rpm) | min ⁻¹ | 3300 |
| Power consumption | W | 4.4 |
| Min. ambient temperature | °C | -20 |
| Max. ambient temperature | °C | 75 |
| Air flow | m ³ /h | 175 |
| Sound power level | B | 5.3 |
| Sound pressure level | dB(A) | 42 |

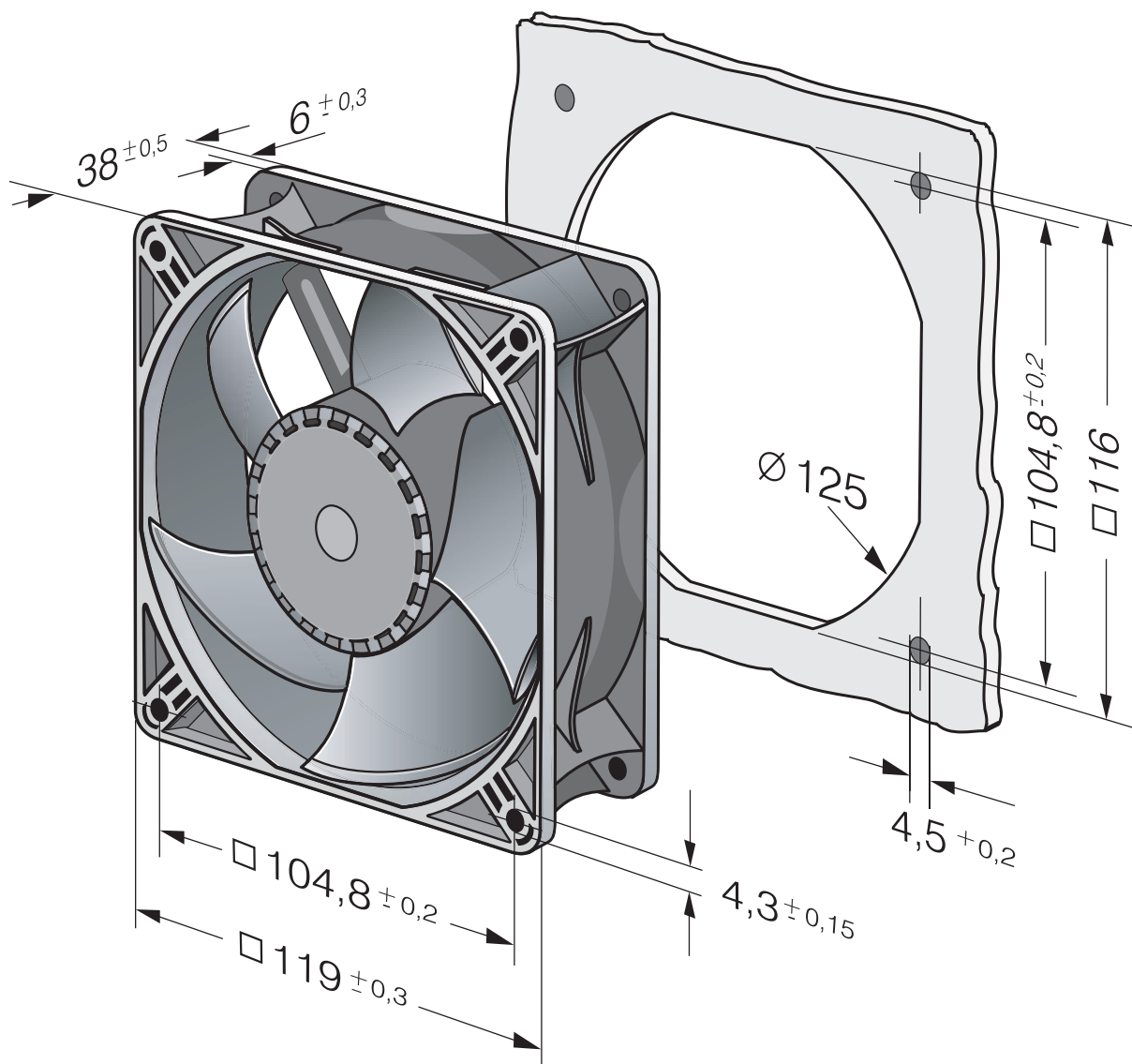
ml = Max. load · me = Max. efficiency · fa = Free air · cs = Customer specification · ce = Customer equipment
 Subject to change



Technical description

| | |
|--|--|
| General description | Converter electronics and fan electronics fully integrated |
| Weight | 0.250 kg |
| Dimensions | 119 x 119 x 38 mm |
| Impeller material | Glass-fiber reinforced PA plastic |
| Housing material | Glass-fiber reinforced PBT plastic |
| Airflow direction | Exhaust over struts |
| Direction of rotation | Clockwise, viewed toward rotor |
| Storage | Ball bearing |
| Service life L10 at 40 °C | 65000 h |
| Service life L10 at maximum temperature | 25000 h |
| Cable | With flat plug 2.8 x 0.5, optionally also with exposed external leads |

Product drawing



Curves

