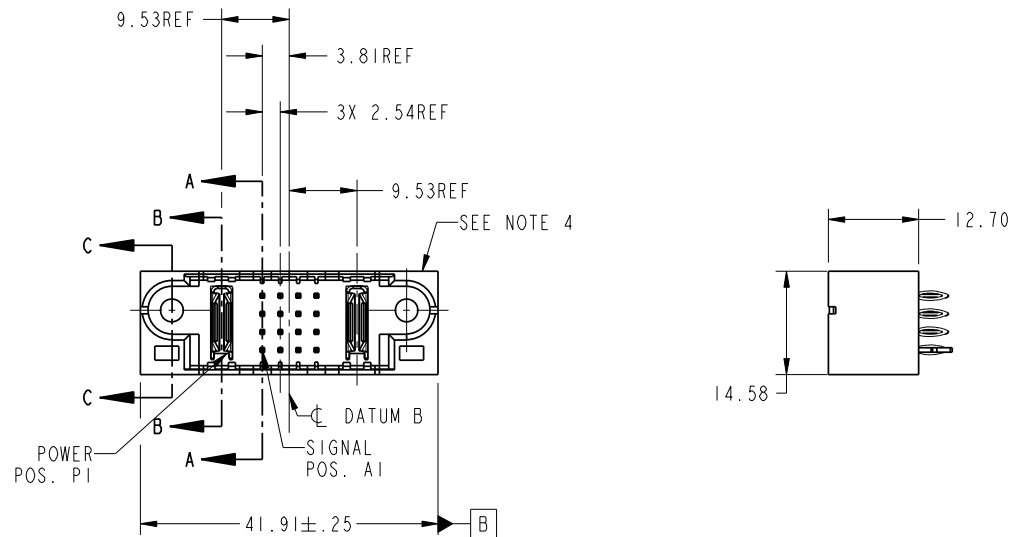


Tous droits strictement reserves. Reproduction ou communication a des tiers interdite sous quelque forme que ce soit sans autorisation écrite du propriétaire. Propriete de c FCI. Droits de reproduction FCI.



All rights strictly reserved. Reproduction or issue to third parties in any form whatever is not permitted without written authority from the proprietor. Property of FCI. Copyright FCI.

PRODUCT NO.	ROWS	PWR		SIGNAL				PWR	
		E1	P1	1	2	3	4	P2	E2
51952-046-- NOTE: 3	0 B A		PC	K	K	K	K	PC	
				G	G	G	G		
				K	K	K	K		



CODE	DIM "M" MATING LENGTH	CONTACT TYPE
PC	[N/A]	POWER
K	[5.59]	SIGNAL
G	[6.86]	SIGNAL
HA	[N/A]	HOLD-DOWN

mat'l code				SEE NOTE		tolerances unless otherwise specified		CUSTOMER		FCI	
ltr	ecn no.	dr	date	linear	0.X ± 0.3	COPY		www.fciconnect.com		title	
A	V04-0897	TAB	09/08/04		0.XX ± 0.13	projection		IP + 16S + IP		VERTICAL PRESS-FIT HEADER	
B	DG05-0450	Ryan	11/12/05		0.XXX ± 0.051	MM		product family		PwrBlade	
C	DG07-0357	JULIA	09/10/07	angles	0° ± 2°	scale		size		code	
				dr	T. BRUNGARD 09/08/04	1:1		dwg no		213	
				enrg	M. GRAY 09/08/03			51952-046		sheet	
				chr	M. GRAY 09/08/04			A		1 of 4	
				appd	M. GRAY 09/08/04						
sheet index	revision	C	C	C	C						
	sheet	1	2	3	4						

cage code 22526

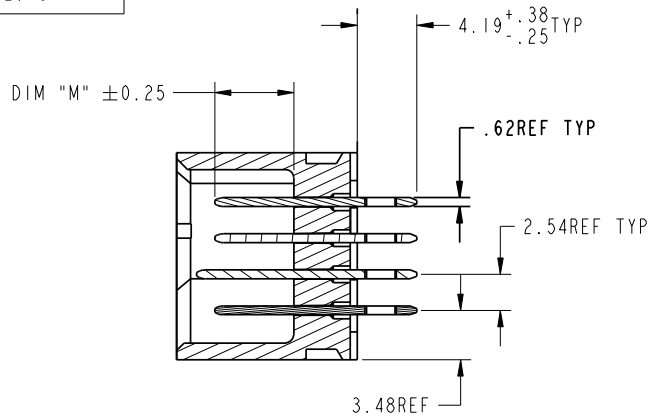
Pro/E

Tous droits strictement reserves. Reproduction ou communication a des tiers interdite sous quelque forme que ce soit sans autorisation ecrite du proprietaire. Propriete de c FCI. Droits de reproduction FCI.

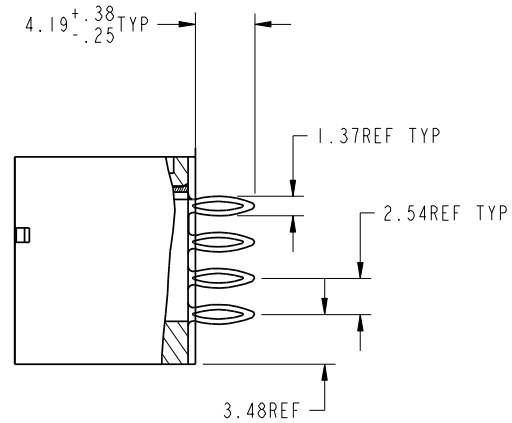


All rights strictly reserved. Reproduction or issue to third parties in any form whatever is not permitted without written authority from the proprietor. Property of FCI. Copyright FCI.

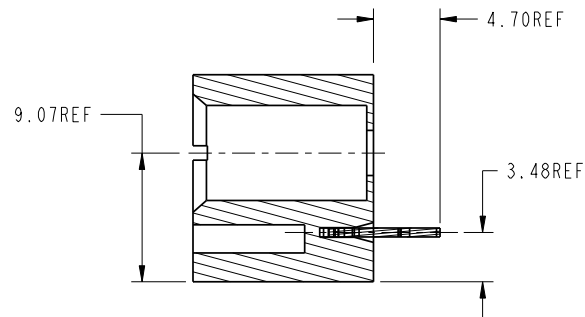
PRODUCT NUMBER
51952-046--
NOTE: 3



SECTION A-A
SCALE 2:1



SECTION B-B
SCALE 2:1



SECTION C-C
SCALE 2:1

mat'l code				SEE NOTE		tolerances unless otherwise specified		CUSTOMER		FCI www.fciconnect.com	
lfr	ecr no.	dr	date	linear	0.X ±0.3	COPY		projection		title	
c					0.XX ±0.13			IP + 16S + IP		VERTICAL PRESS-FIT HEADER	
				angles	0.XXX ±0.051			product family		code	
				dr	0° ±2°	T. BRUNGARD 09/08/04		PwrBlade		213	
				enr		M. GRAY 09/08/03		size		sheet	
				chr		M. GRAY 09/08/04		A		51952-046	
				appd		M. GRAY 09/08/04		scale		2	
sheet index		revision sheet									

cage code 22526

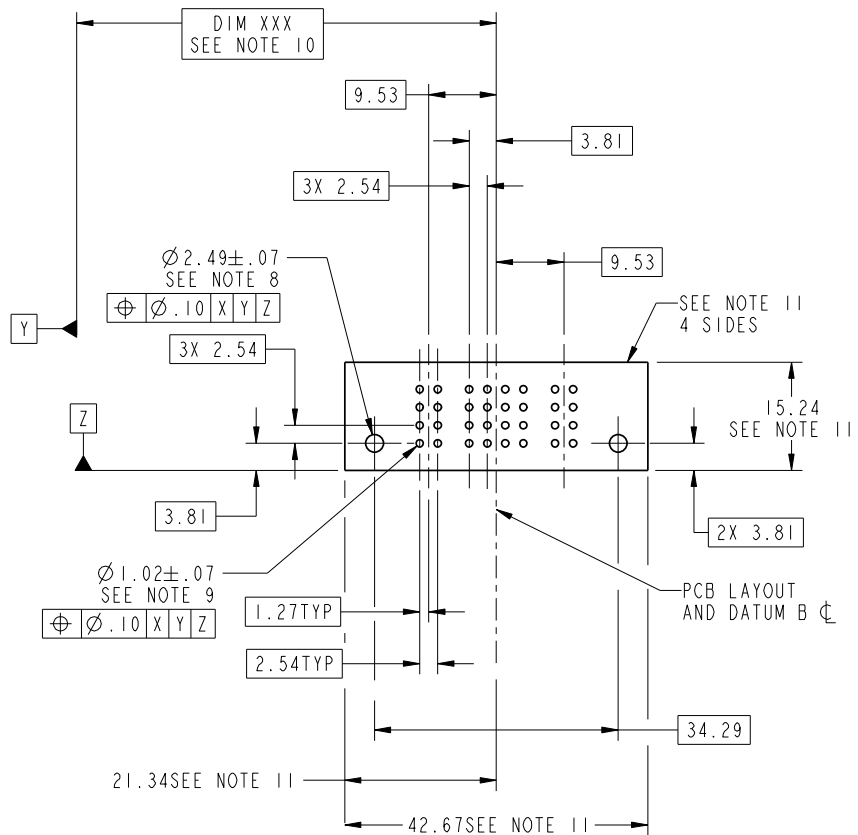
Pro/E

Tous droits strictement reserves. Reproduction ou communication a des tiers interdite sous quelque forme que ce soit sans autorisation écrite du propriétaire. Propriete de c FCI. Droits de reproduction FCI.



All rights strictly reserved. Reproduction or issue to third parties in any form whatever is not permitted without written authority from the proprietor. Property of FCI. Copyright FCI.

PRODUCT NUMBER
51952-046--
NOTE: 3



mat'l code				SEE NOTE		tolerances unless otherwise specified		CUSTOMER		FCI www.fciconnect.com		
lfr	ecr no.	dr	date	linear	0.X ± 0.3	COPY		projection		title		
c				angles	0.XX ± 0.13	MM		IP + 16S + IP		VERTICAL PRESS-FIT HEADER		
				dr	0.XXX ± 0.051	1:1		product family		code		
				enr	0° ± 2°	scale		PwrBlade		213		
				chr	T. BRUNGARD 09/08/04	A		size		sheet		
				appd	M. GRAY 09/08/03	51952-046		dwg no		3		
					M. GRAY 09/08/04			A				
					M. GRAY 09/08/04							
sheet index	revision sheet											

cage code 22526

Pro/E

Tous droits strictement reserves. Reproduction ou communication a des tiers interdite sous quelque forme que ce soit sans autorisation ecrite du proprietaire. Propriete de c FCI. Droits de reproduction FCI.



All rights strictly reserved. Reproduction or issue to third parties in any form whatever is not permitted without written authority from the proprietor. Property of FCI. Copyright FCI.

PRODUCT NUMBER
51952-046__
NOTE: 3

NOTES:

1. DIMENSIONS AND TOLERANCES ARE IN ACCORDANCE WITH ASME Y14.5M, 1994 UNLESS OTHERWISE SPECIFIED.

CONNECTOR NOTES:

- 2 HOUSING MATERIAL: UL 94 V-0 GLASS FILLED
HIGH-TEMP THERMOPLASTIC
POWER CONTACT MATERIAL: COPPER ALLOY
SIGNAL PIN MATERIAL: COPPER ALLOY
 - 3. PLATING:
51952-046 ,51952-046LF PLATING SPEC. WAS SHOWN IN THE PRINT OF 10064183.
 - 4 MANUFACTURER'S NAME, P/N, AND DATE CODE TO APPEAR ON THIS SURFACE.
 - 5. PRODUCT SPECIFICATION GS-12-149.
APPLICATION SPECIFICATION BUS-20-067.
 - 6. PACKAGED IN TRAYS.
- PCB NOTES:
- 7. ALL HOLE DIAMETERS ARE FINISHED HOLE SIZE.
 - 8. MOUNTING HOLES, WHERE APPLICABLE, ARE UNPLATED.
 - 9 $\varnothing 1.151 \pm 0.025$ DRILLED HOLES PLATED WITH
0.008 MIN SnPb OR Sn OVER 0.03
TO 0.08 Cu PLATING TO ACHIEVE
 $\varnothing 1.02 \pm .07$ HOLE.
 - 10 "DIM XXX" TO BE DETERMINED BY THE CUSTOMER.
 - 11 CONNECTOR KEEP-OUT ZONE.
 - 12. FOR PRESS FIT APPLICATION USE FCI CAM TOOL 430169-XXX.

mat'l code				SEE NOTE		tolerances unless otherwise specified		CUSTOMER		FCI www.fciconnect.com	
lfr	ecr no.	dr	date	linear	0.X ± 0.3	COPY		projection		title	
C					0.XX ± 0.13					IP + 16S + IP VERTICAL PRESS-FIT HEADER	
				angles	0° ± 2°					product family PwrBlade code 213	
				dr	T. BRUNGARD 09/08/04			scale 1:1		size A	
				enrg	M. GRAY 09/08/03					dwg no 51952-046 sheet 4	
				chr	M. GRAY 09/08/04						
				appd	M. GRAY 09/08/04						
sheet index		revision sheet									

cage code 22526

Pro/E