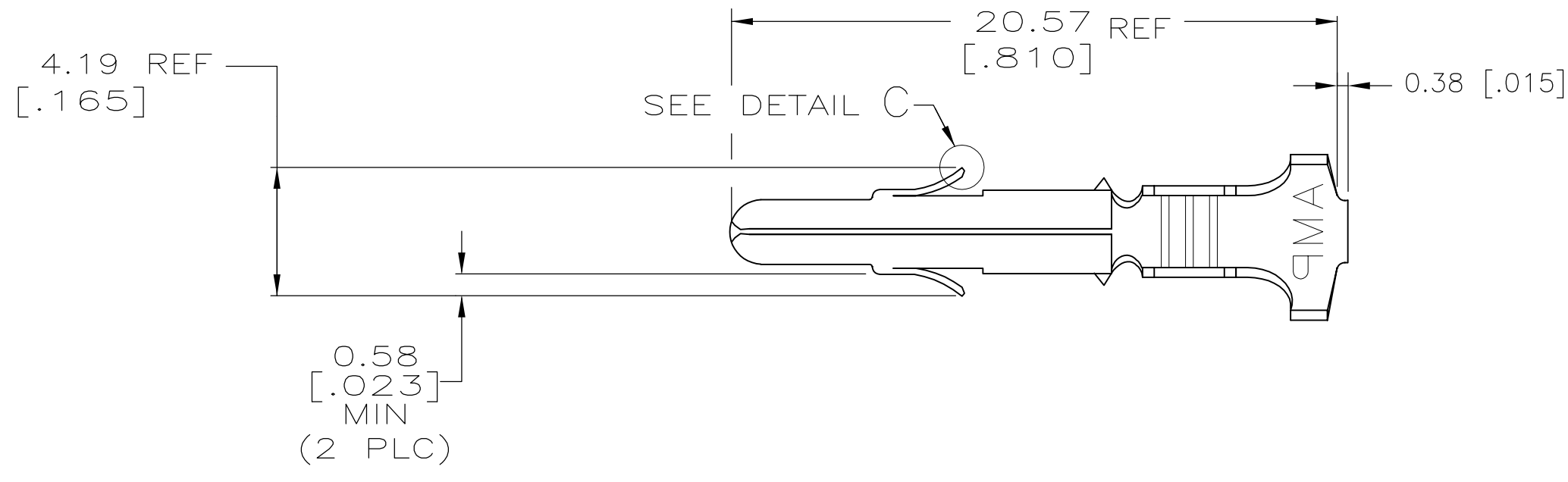
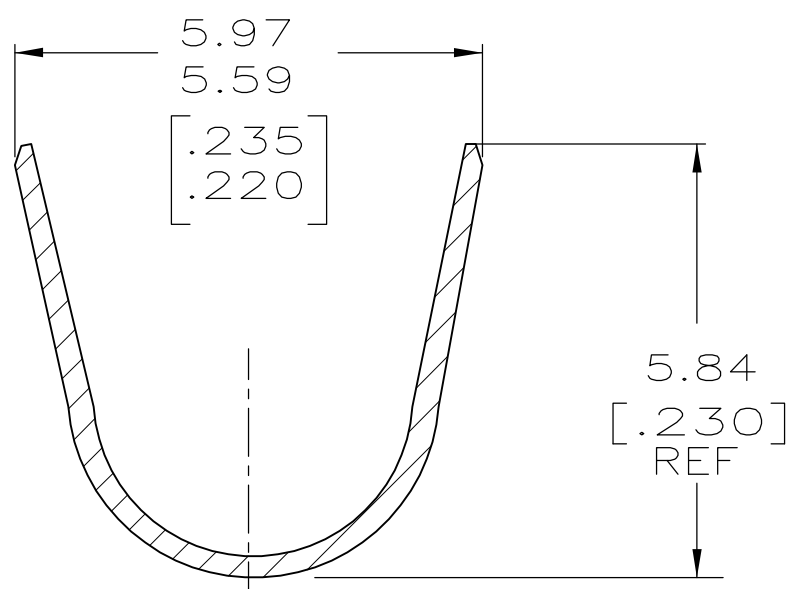
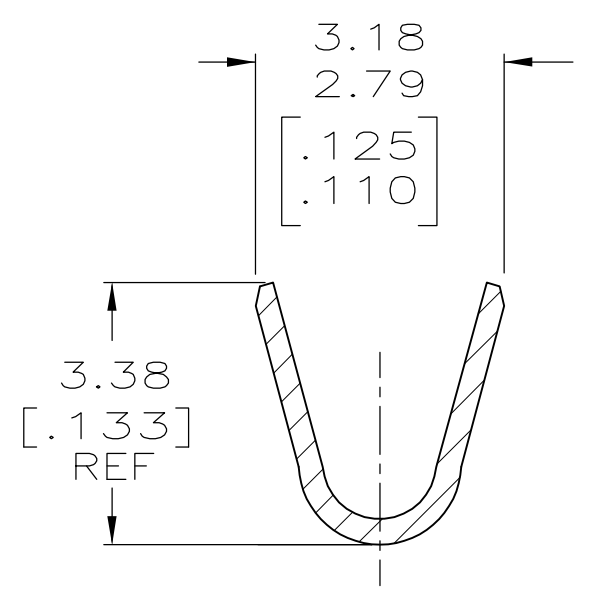
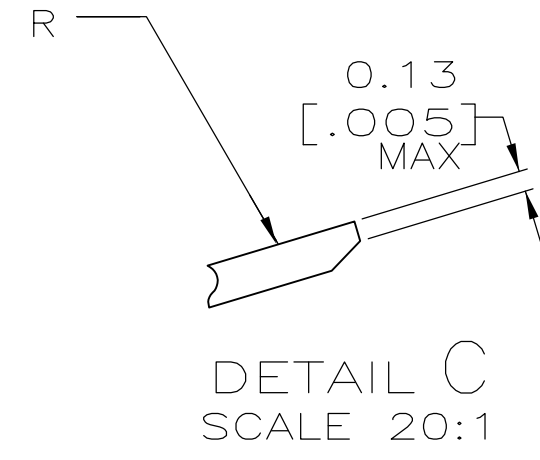
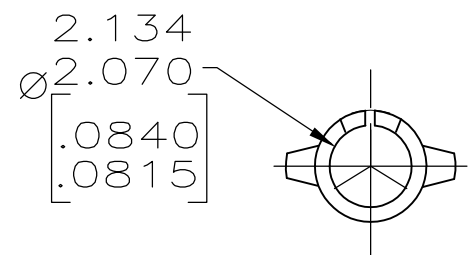
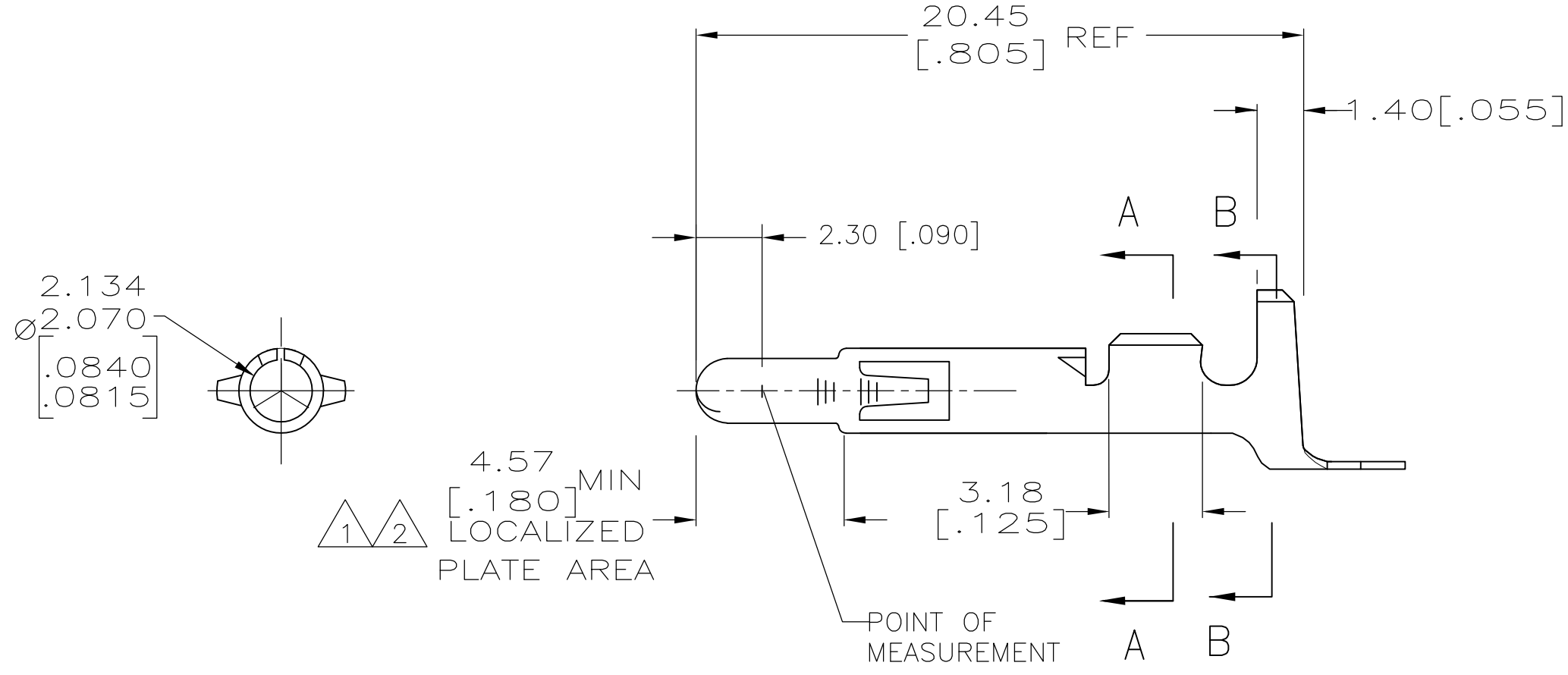


THIS DRAWING IS UNPUBLISHED. RELEASED FOR PUBLICATION
 © COPYRIGHT - By - ALL RIGHTS RESERVED.

LOC		DIST		REVISIONS			
P	LTR	DESCRIPTION	DATE	DWN	APVD		
CM	00	T	REVISED PER ECR-12-013323	09AUG12	KH	TM	



- 1 PLATED WITH 0.00076[.000030] GOLD OVER 0.00127[.000050] MIN THK NICKEL UNDERPLATE.
- 2 GOLD OVER NICKEL ON ENTIRE STAMPING; 0.00076[.000030] GOLD MINIMUM AT OINT OF MEASUREMENT IN CONTACT AREA, GOLD FLASH MINIMUM IN WIRE BARREL.
- 3 DIMENSIONS IN BRACKETS ARE IN INCHES.
- 4 WIRE RANGE: 20-14 AWG
INSULATION RANGE : 3.30-5.08 [.130-.200] DIA.



FINISH	MATERIAL	PART NO
GOLD 2	0.30 [.012] BRASS	350552-7
GOLD 2	0.30 [.012] PH BZ	350552-6
TIN	0.30 [.012] PH BZ	350552-3
GOLD 1	0.30 [.012] BRASS	350552-2
TIN	0.30 [.012] BRASS	350552-1

THIS DRAWING IS A CONTROLLED DOCUMENT.

DWN K. WHITAKER 12NOV2004	 TE Connectivity PIN, (LOOSE PIECE), UNIVERSAL MATE-N-LOK™
CHK S. RIDGILL 12NOV2004	
APVD S. RIDGILL 12NOV2004	
PRODUCT SPEC	
APPLICATION SPEC	SIZE A2
WEIGHT -	CAGE CODE 00779
CUSTOMER DRAWING	DRAWING NO C=350552
SCALE 5:1	SHEET 1 of 1
REV T	RESTRICTED TO -