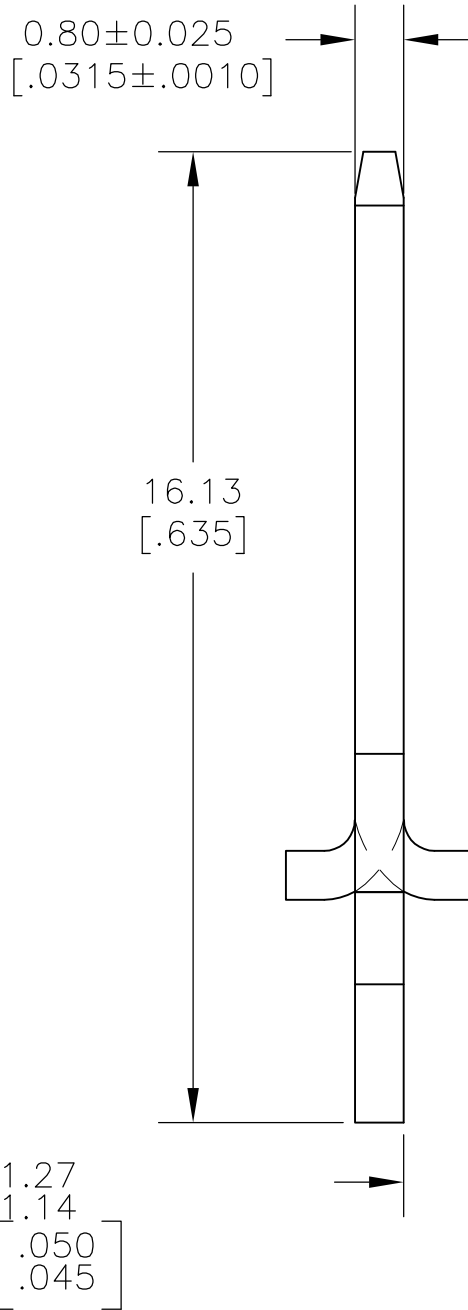
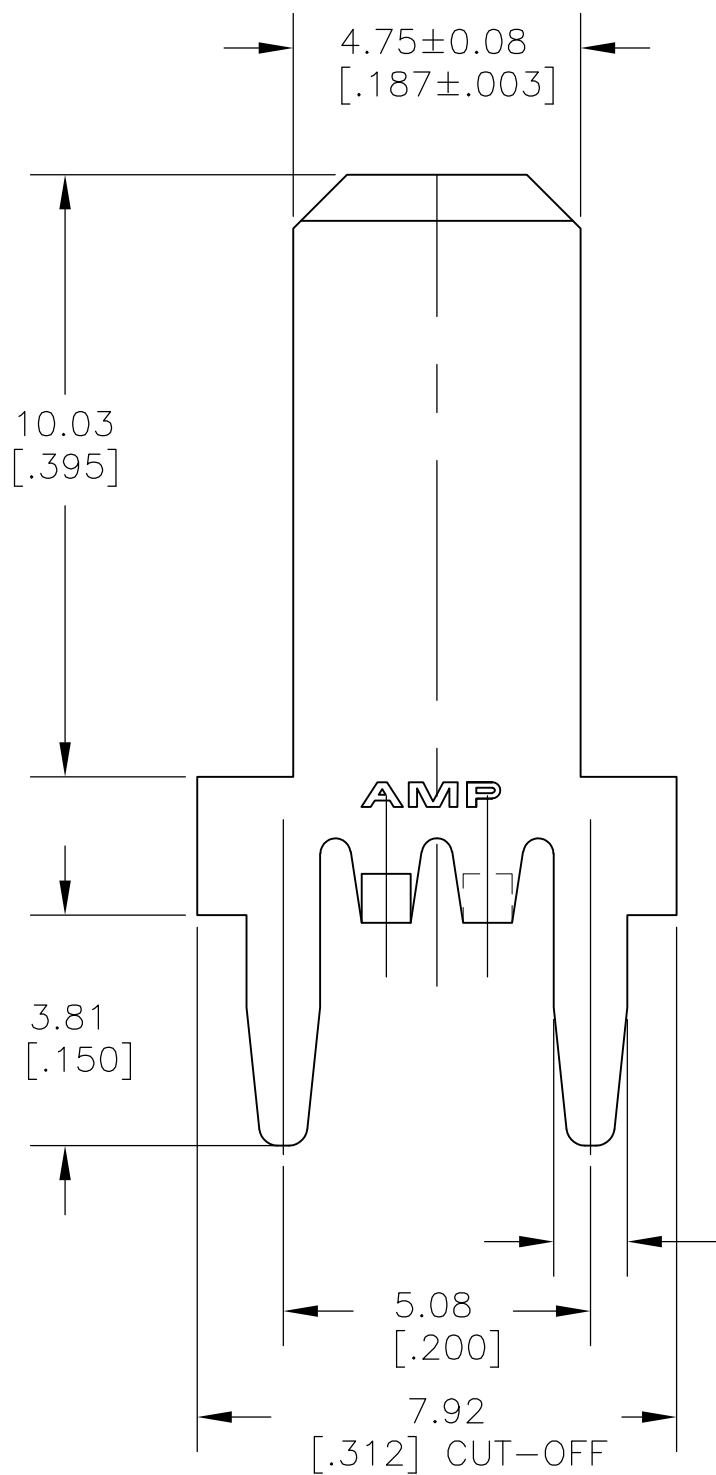
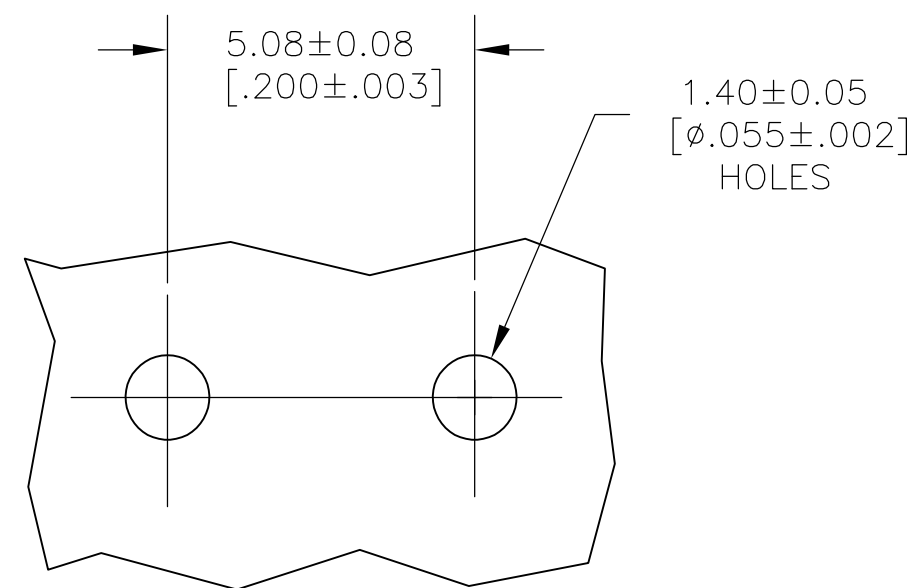


THIS DRAWING IS UNPUBLISHED. RELEASED FOR PUBLICATION
 © COPYRIGHT BY TYCO ELECTRONICS CORPORATION. ALL RIGHTS RESERVED.

LOC	DIST	REVISIONS			
P	LTR	DESCRIPTION	DATE	DWN	APVD
AF	50	D1	REV PER ECR 11-003939	22FEB11	JR PD



- 1 SUPPLIED IN LOOSE PIECE AFTER PLATING, BARE EDGES AT CUT-OFFS.
- 2 TIN PLATE 0.00381 [0.00150] MIN OVER 0.00254 [0.00100] MIN THK COPPER OR TIN PLATE 0.00381 [0.00150] MIN OVER 0.00127 [0.00050] MIN THK NICKEL.



P.C. BOARD HOLE PATTERN

1217332-1
PART NO.

THIS DRAWING IS A CONTROLLED DOCUMENT.		DWN	JR RUTH	03APR01	Tyco Electronics Corporation Harrisburg, PA 17105-3608	
DIMENSIONS: mm [INCHES]		CHK	MS FEHER	03APR01	NAME	
TOLERANCES UNLESS OTHERWISE SPECIFIED:		APVD	N DEIBERT	03APR01	TAB, FASTON, P.C.BOARD 4.75 [.187]	
0 PLC ± -		PRODUCT SPEC	-			
1 PLC ± -		APPLICATION SPEC	-			
2 PLC ± 0.25 [.010]		WEIGHT	-			
3 PLC ± -		SIZE	A3	CAGE CODE	00779	DRAWING NO
4 PLC ± -		RESTRICTED TO	-			
ANGLES ± -		SCALE	8:1		SHEET	1 OF 1
MATERIAL		CUSTOMER DRAWING		REV	D1	
082 BRASS		FINISH		-2		