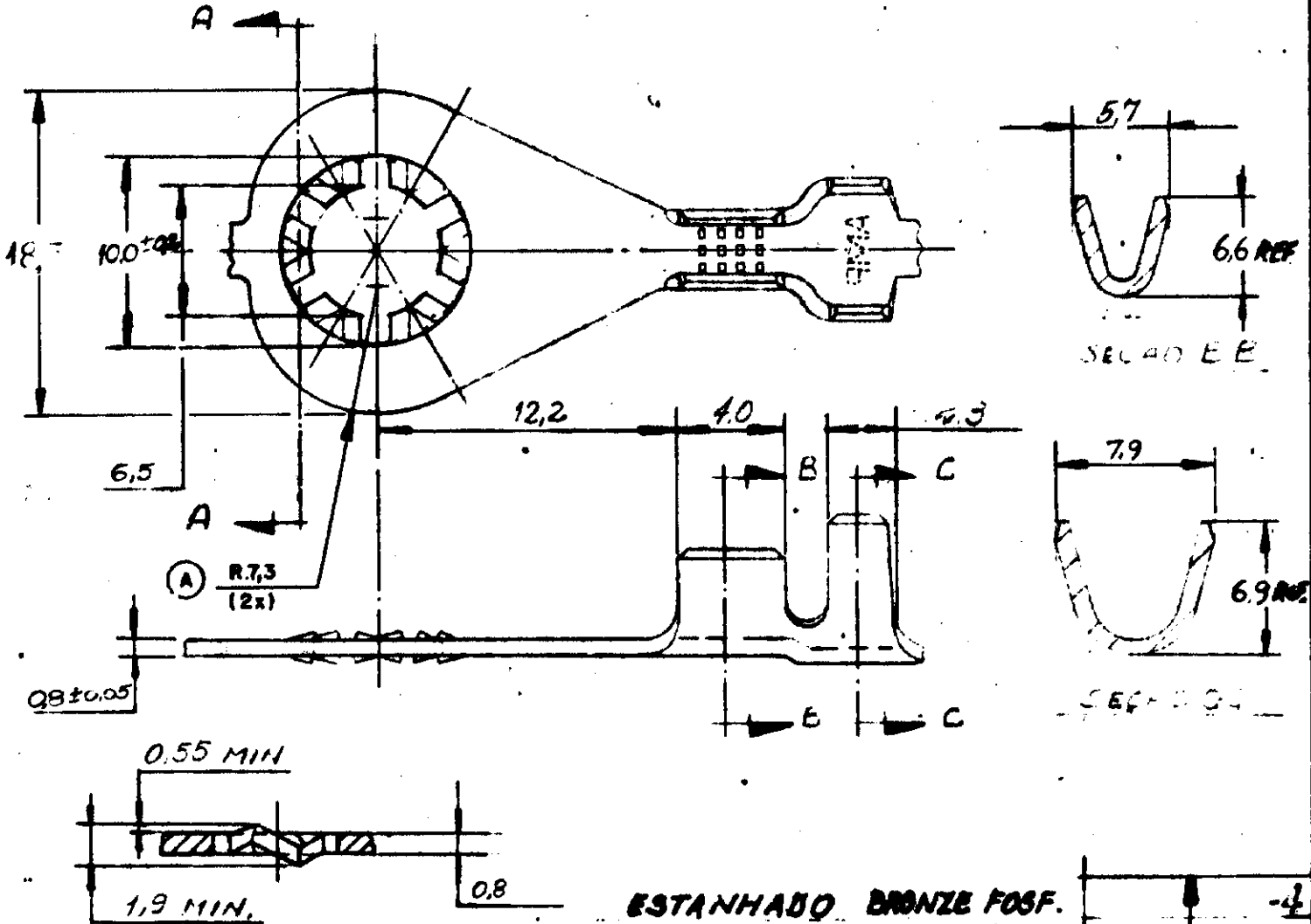


© Copyright 1982 by AMP DO BRASIL - S. P. All International Rights Reserved. AMP Incorporated products covered by U. S. and Foreign patents and/or patents pending.

REVISIONS

LTP	DESCRIPTION	DATE	APPROVED	P/F
0	ERA PEL-29268	6-SEP-90	PF [Signature]	
A	REVISADO	6-6-91	NO. [Signature]	



ESTANHADO	BRONZE FOSF.	-4
—#—	BRONZE FOSF.	-3
ESTANHADO	LATÃO	-2
—#—	LATÃO	-1
881599		-1

ACABAMENTO MATERIAL PART NO

UNLESS OTHERWISE SPECIFIED DIMENSIONS ARE IN (MM) TOLERANCES ON: DECIMALS ± 0.03 ANGLES ± 1°

CONTRACT NO. DR. CHK. APPD.

TOLERANCE AMP AMP DO BRASIL Paulo - Brasil

MATERIAL VER TABELA

NAME RING TONGUE ANTIROTATIONAL

FINISH VER TABELA

AREA-RANGE 4-60 mm² INS-RANGE 4-53 mm

SIZE LOC AP. DRAWING NO 881599 SCALE SHEET