

# 3.3V-5V REG™

Manual

*All Mikroelektronika's development systems feature a large number of peripheral modules expanding microcontroller's range of application and making the process of program testing easier. In addition to these modules, it is also possible to use numerous additional modules linked to the development system through the I/O port connectors. Some of these additional modules can operate as stand-alone devices without being connected to the microcontroller.*

Additional board

 **MikroElektronika**

SOFTWARE AND HARDWARE SOLUTIONS FOR EMBEDDED WORLD ...making it simple

## 3.3V-5V REG

The 3.3V-5V REG additional board is used to increase the 3.3V input voltage to the 5V output voltage.

### Key features:

- Step-up converter;
- Output current 250mA;
- Compact size.

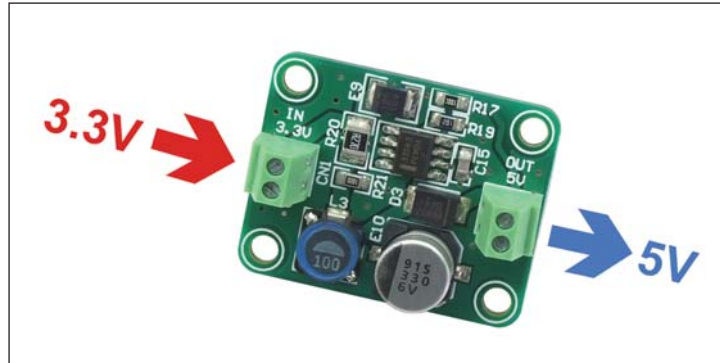


Figure 1: 3.3V-5V REG additional board

### How to connect the board?

The 3.3V voltage is supplied via the CN1 screw connector, whereas the 5V voltage is delivered via the CN2 screw connector.

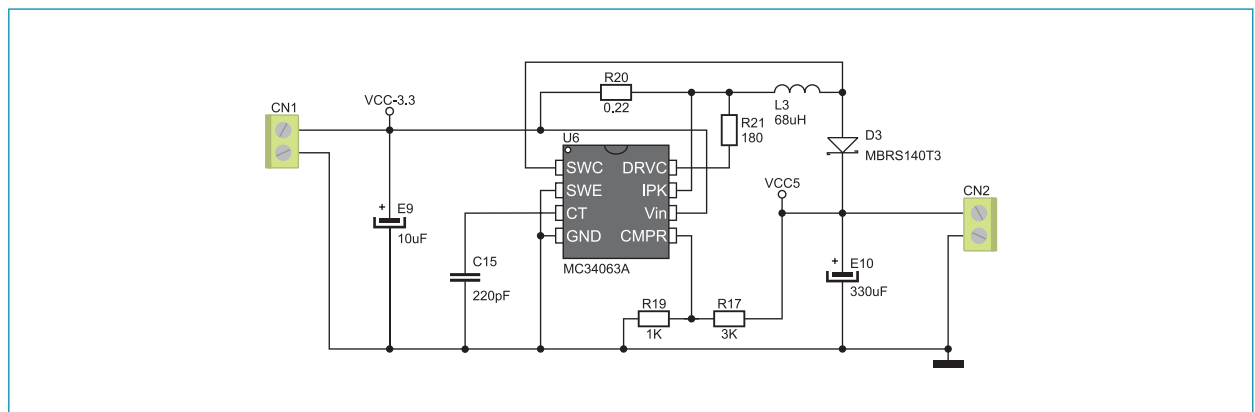


Figure 2: 3.3V-5V REG additional board connection schematic

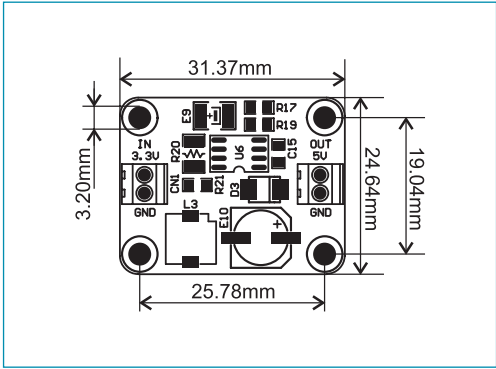


Figure 3: Dimensions of the 3.3V-5V REG board

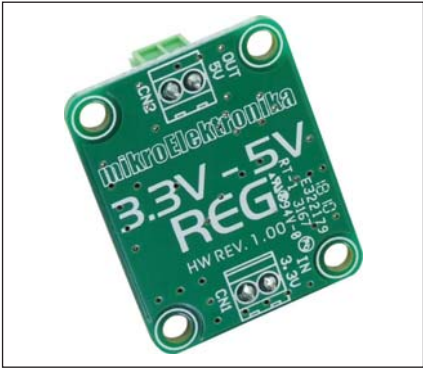


Figure 4: The back side of the board

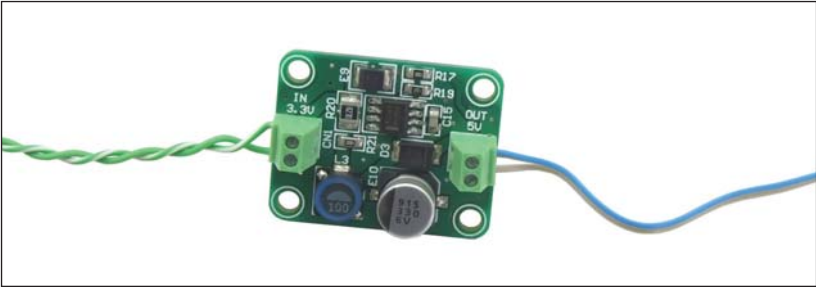


Figure 5: 3.3V-5V REG additional board connected to power supply



**MikroElektronika**  
SOFTWARE AND HARDWARE SOLUTIONS FOR EMBEDDED WORLD ...making it simple

If you want to learn more about our products, please visit our website at [www.mikroe.com](http://www.mikroe.com)

If you are experiencing some problems with any of our products or just need additional information, please place your ticket at [www.mikroe.com/en/support](http://www.mikroe.com/en/support)

If you have any questions, comments or business proposals, do not hesitate to contact us at [office@mikroe.com](mailto:office@mikroe.com)