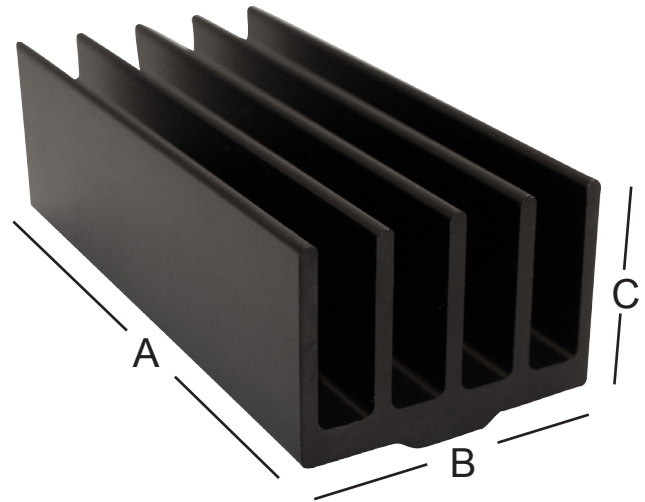


# Texas Instruments Heat Sink

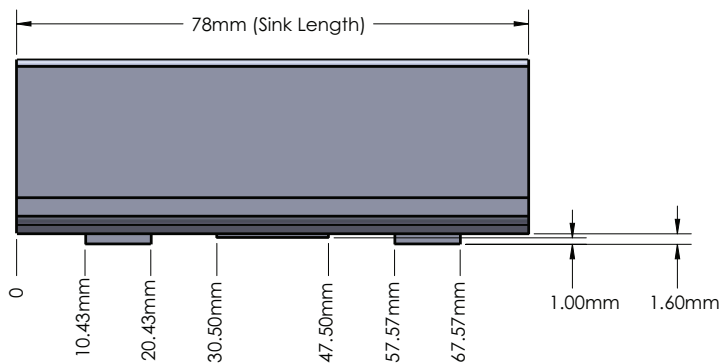
**ATS PART # ATS-TI10P-518-C1-R0**

## Features & Benefits

- » Optimized for natural convection air cooling
- » Black anodized for maximum heat dissipation
- » Designed specifically for TI's Audio Evaluation Module #TAS5611PHD2EVM



\*Image above is for illustration purposes only.



## Thermal Performance

AIR VELOCITY		THERMAL RESISTANCE	
FT/MIN	M/S	°C/W (UNDUCTED FLOW)	°C/W (DUCTED FLOW)
200	1.0	3.0	2.0
300	1.5	2.5	n/a
400	2.0	2.2	n/a
500	2.5	2.0	n/a
600	3.0	1.8	n/a
700	3.5	1.7	n/a
800	4.0	1.6	n/a

## Product Details

DIMENSION A	DIMENSION B	DIMENSION C	INTERFACE MATERIAL	FINISH
78 mm	36 mm	28.1 mm	N/A	BLACK ANODIZED

### NOTES:

- 1) Dimension C = heat sink height from bottom of the base to the top of the fin field.
- 2) Material AL-6063



**ATS** ADVANCED  
THERMAL  
SOLUTIONS, INC.  
Innovations in Thermal Management®

For more information, to find a distributor or to place an order, visit [www.qats.com](http://www.qats.com) or call: **781.769.2800**.