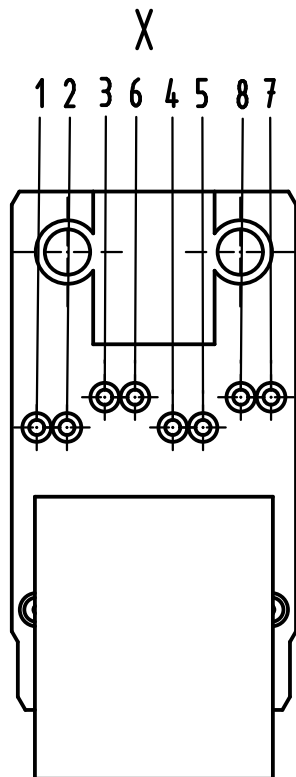
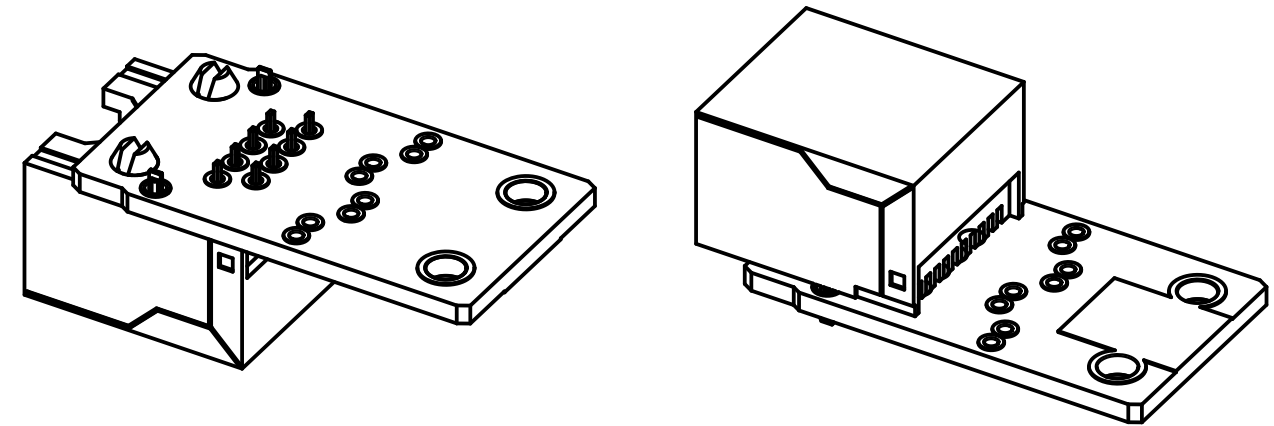
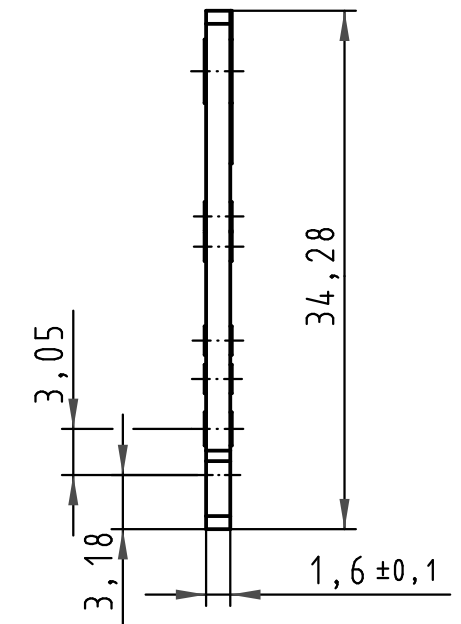
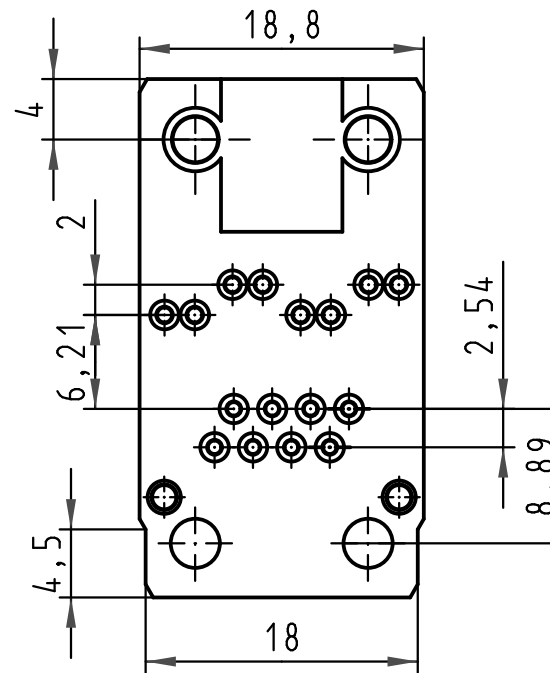
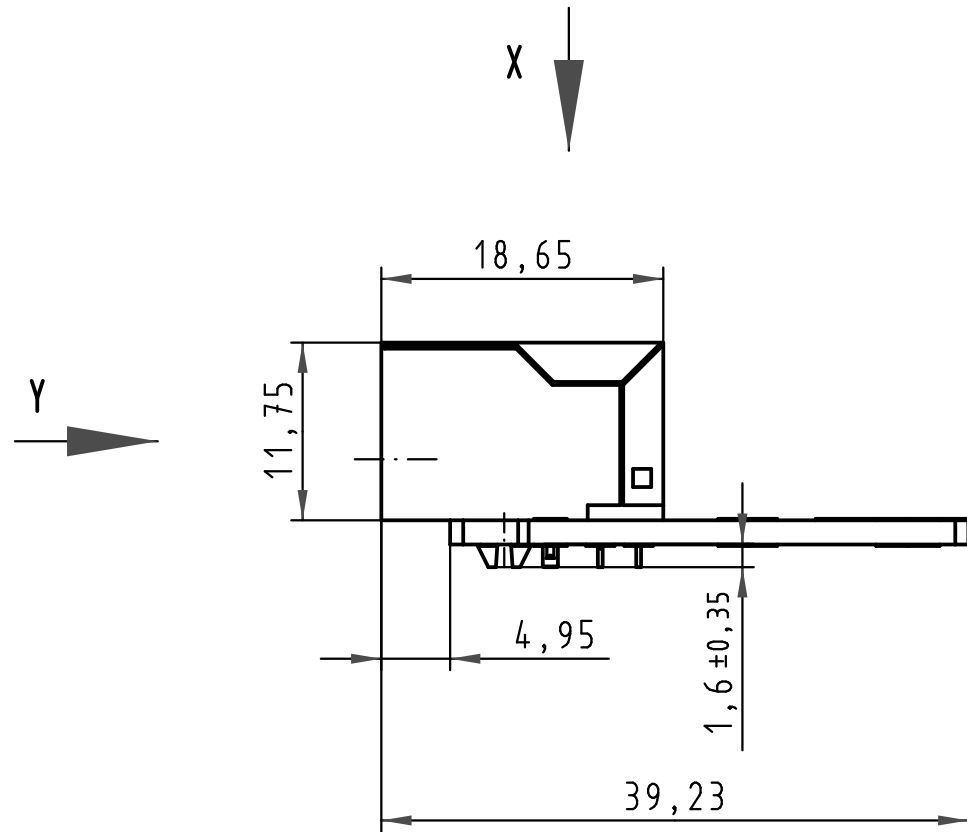


Alle Rechte vorbehalten/ All rights reserved

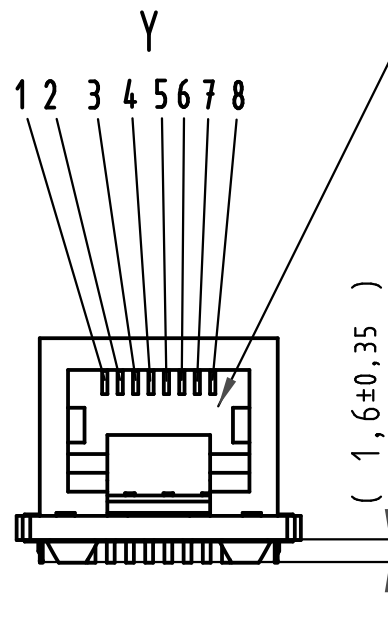
PCB dimensions



Loading-Plan

- 1 ————— 1
- 2 ————— 2
- 3 ————— 3
- 4 ————— 4
- 5 ————— 5
- 6 ————— 6
- 7 ————— 7
- 8 ————— 8

Mating face RJ45 according to IEC 60603-7



RJI PCB with RJ 45 Jack	09 45 545 1134
<i>Description</i>	<i>Part-No.</i>

All Dimensions in mm Original Size DIN A 3	Techn. Character.			Nicht tolerierte Maß/Free size tolerances	
		Dat.	Name	Maßstab/Scale	
		Detail.	13.03.07	MS	RJI PCB with RJ 45 Jack
		Insp.			
		Stand.			
34070		HARTING Electronics GmbH & Co. KG			TB 09 45 545 1134
Mod.	Dat.	Name	D-32339 ESPELKAMP		
					Blatt/ page
					Sub.