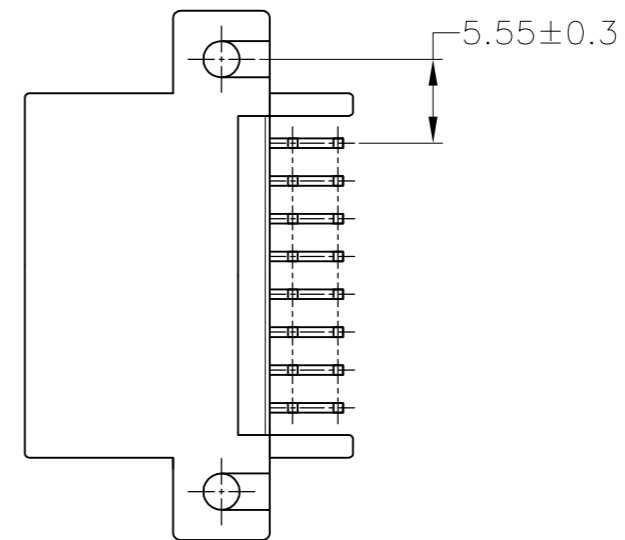
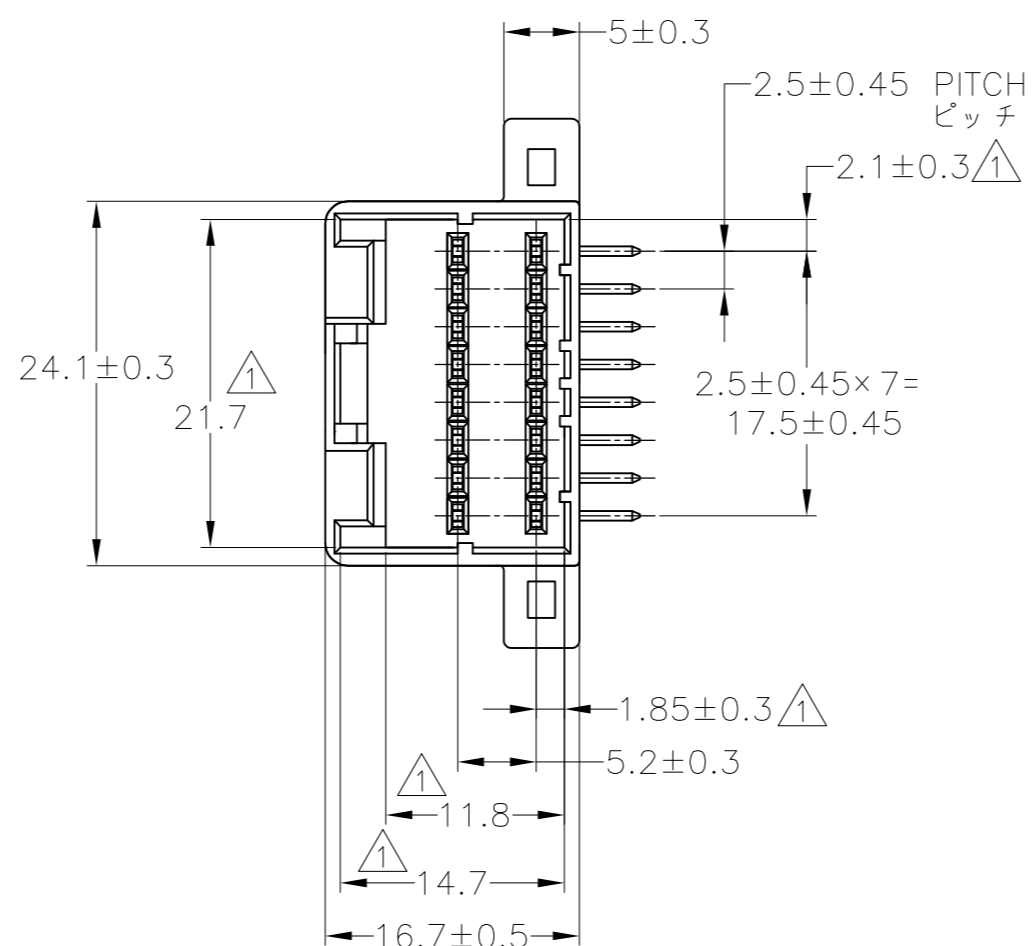
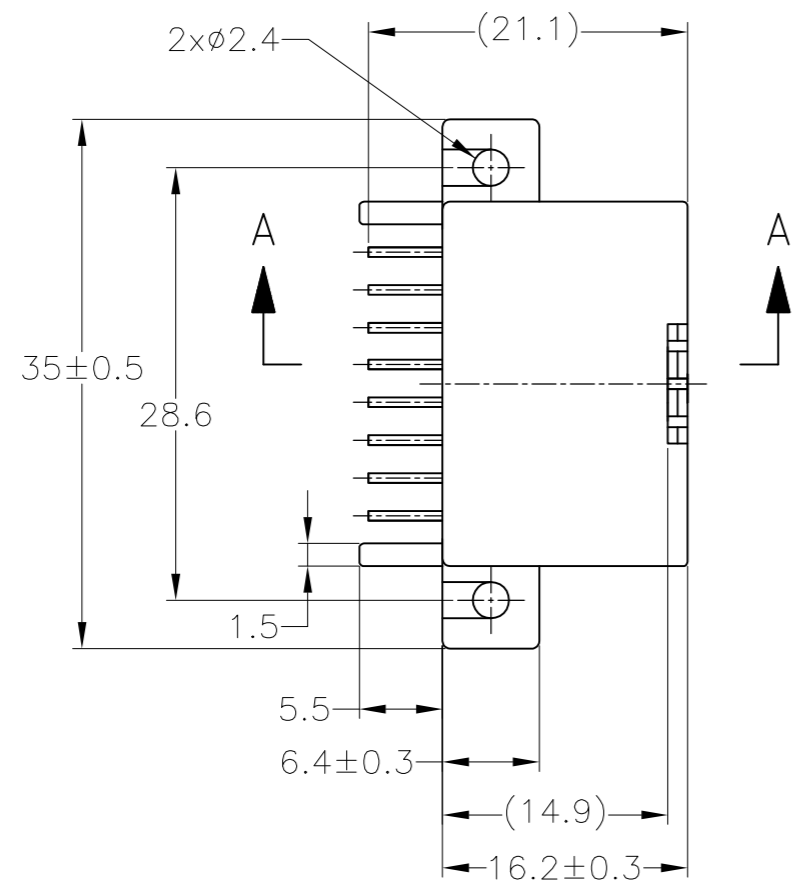


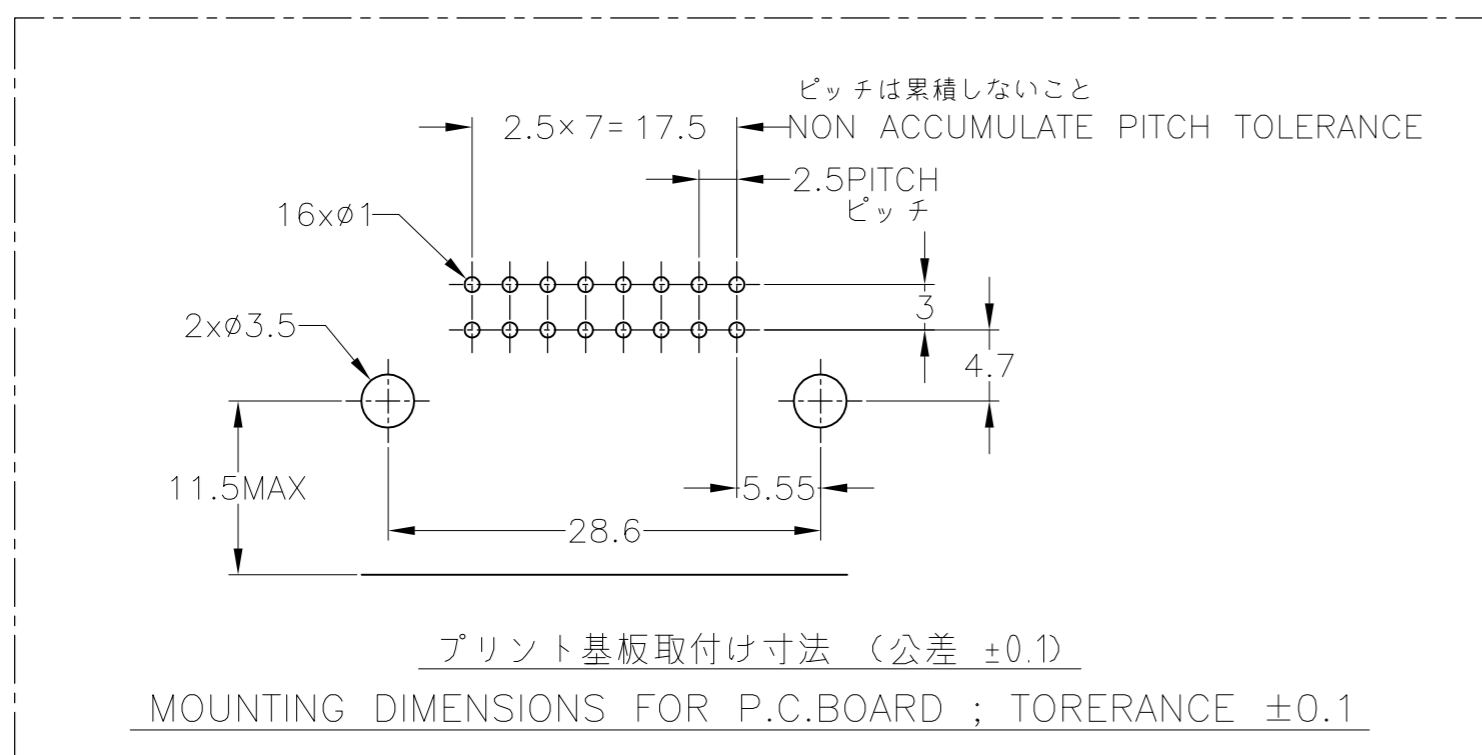
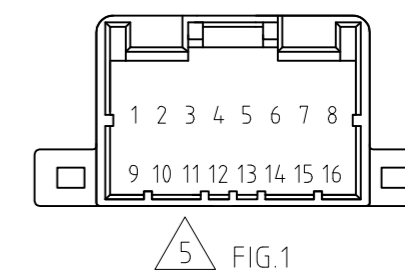
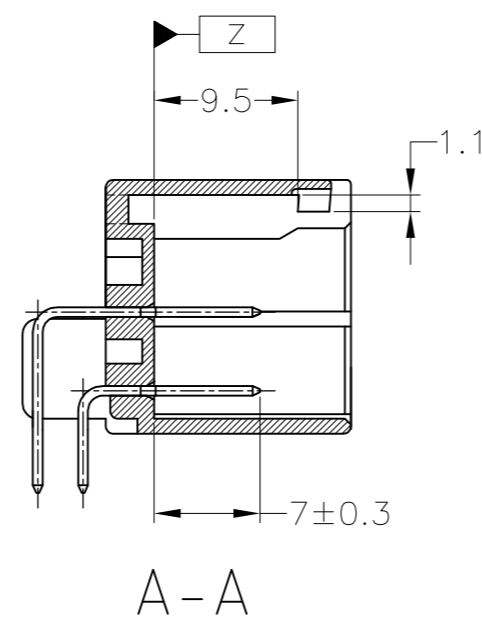
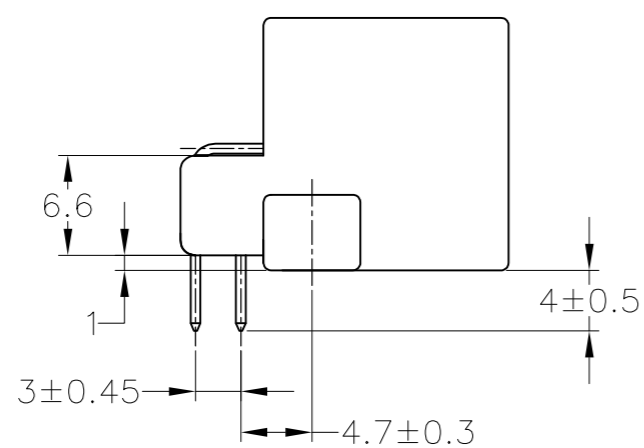
THIS DRAWING IS UNPUBLISHED. RELEASED FOR PUBLICATION  
 © COPYRIGHT 2016 By Tyco Electronics Japan G.K. ALL RIGHTS RESERVED.

| REVISIONS |         |               |           |     |      |
|-----------|---------|---------------|-----------|-----|------|
| P         | LTR     | DESCRIPTION   | DATE      | DWN | APVD |
| H5        | REVISED | ECR-17-002468 | 06MAR2017 | TS  | KB   |



- △ Z面より2mmの範囲で測定。
- 2. 適用プリント基板厚: 1.6mm
- 3. 嵌合相手ハウジング型番: 174046
- 4. 推奨取付けねじ: JIS B1115, B1122 タッピンねじ, なべ2種 呼び径3, 長さ7mm以上 (締付けトルク: 0.4N-m以下)
- △ 回路番号: FIG.1 参照
- 6. 製品規格番号: 108-5244, 取扱説明書: 411-5883

- △ TO BE MEASURED WITHIN 2mm FROM Z
- 2. APPLICABLE P.C.BOARD THICKNESS: 1.6mm
- 3. THE MATING PLUG HOUSING PART NUMBER: 174046
- 4. RECOMMENDED MOUNTING SCREW: 3mm DIA, 7mm LENGTH (MIN.) PAN HEAD, CLASS 2 TAPPING SCREW SPECIFIED IN JIS B1115, B1122 (TIGHTENING TORQUE: 0.4N-m MAX.)
- △ CIRCUIT NUMBER: SEE FIG.1
- 6. PRODUCT SPECIFICATION: 108-5244 INSTRUCTION SHEET: 411-5883



TOLERANCE UNLESS OTHERWISE SPECIFIED:  
 一般公差

|              |         |
|--------------|---------|
| 0 < x ≤ 10   | : ±0.2  |
| 10 < x ≤ 30  | : ±0.25 |
| 30 < x ≤ 100 | : ±0.3  |
| ANGLE        | : ±3°   |

THIS DRAWING IS A CONTROLLED DOCUMENT.

|                                       |  |
|---------------------------------------|--|
| DIMENSIONS: mm                        | TOLERANCES UNLESS OTHERWISE SPECIFIED: |
| 0 PLC ±                               | 1 PLC ± -                              |
| 2 PLC ± -                             | 3 PLC ± -                              |
| 4 PLC ± -                             | ANGLES ± -                             |
| MATERIAL: HOUSING: PBT CONTACT: BRASS | FINISH: SEE TABLE                      |

|                         |                     |   |          |             |
|-------------------------|---------------------|---|----------|-------------|
| SELECTIVE TIN (MATTE)   | SELECTIVE GOLD x 16 | 1~16  | BLACK 黒色 | 1-5174053-2 |
| TIN-LEAD                | SELECTIVE GOLD x 2  | 5,6   | BLACK 黒色 | 3-174053-2  |
| PRE-TIN x 14            |                     |   |          |             |
| SEE DWG 2-174053-2      |                     |   |          | 2-174053-2  |
| OBSOLETE                | TIN-LEAD            | SELECTIVE GOLD x 16   | 1~16     | BLACK 黒色    |
|                         | PRE-TIN x 16        |   |          | BLUE 青色     |
|                         | PRE-TIN x 16        |   |          | GREEN 緑色    |
|                         | PRE-TIN x 16        |   |          | BLACK 黒色    |
| SOLDERING SIDE 半田付け面    | CONTACT SIDE 接触部側   | △ GOLD PLATED CIRCUIT NO. 金めっき回路番号                                  |          | COLOR 色     |
| CONTACT FINISH コンタクト仕上  |                     | PART NUMBER 製品型番  |          |             |
| DWN T.SHINOHARA 06JAN09 |                     | TE Connectivity   |          |             |
| CHK K.BETSUI 06JAN09    |                     | 040 SERIES MULTI-LOCK I/O CONNECTOR 16POSITION CAP HOUSING ASSEMBLY |          |             |
| APVD K.BETSUI 06JAN09   |                     | NAME  |          |             |
| PRODUCT SPEC            |                     | SEE NOTE 6  |          |             |
| APPLICATION SPEC        |                     | SIZE CAGE CODE DRAWING NO RESTRICTED TO                             |          |             |
| WEIGHT 8.4 g            |                     | A2 00779 C=174053   |          |             |
| CUSTOMER DRAWING        |                     | SCALE 2:1 SHEET 1 of 1 REV H5                                       |          |             |