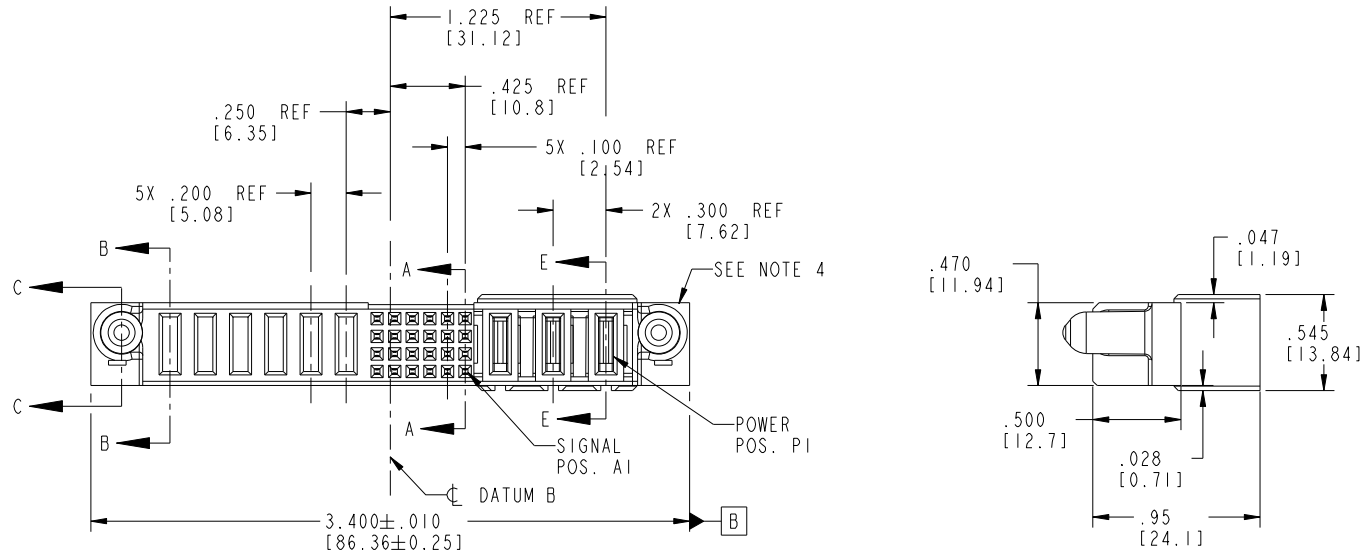


Tous droits strictement réservés. Reproduction ou communication à des tiers interdite sous quelque forme que ce soit sans autorisation écrite du propriétaire. Propriété de c.FCI. Droits de reproduction FCI.



All rights strictly reserved. Reproduction or issue to third parties in any form whatever is not permitted without written authority from the proprietor. Property of FCI. Copyright FCI.

PRODUCT NO.	ROWS	POWER						SIGNAL				POWER			E1		
		E2	P9	P8	P7	P6	P5	P4	6	5	4	3	2	1		P3	P2
51927-004... NOTE:3	D C B A		PC	PC	PC	PC	PC	PC	FFFFFFFFFF	FFFFFFFFFF	FFFFFFFFFF	FFFFFFFFFF	FFFFFFFFFF	PG	PH	PH	



CODE	DIM "M" MATING LENGTH	CONTACT TYPE
F	N/A [N/A]	SIGNAL
PC	.042 [1.07]	POWER
PG	.042 [1.07]	POWER
PH	.092 [2.34]	POWER

mat'l code				SEE NOTE 2		tolerances unless otherwise specified		CUSTOMER		FCI	
ltr	ecn no.	dr	date	linear	.XX±.01/0.X±0.3	projection	COPY		www.fciconnect.com		
A	V03-1149	TAB	10/24/03	angles	.XXX±.005/0.XX±0.13		title		3ACP + 24S + 6P		
B	V03-1215	TAB	11/11/03		.XXX±.002/0.XXX±0.051		VERTICAL PF RECEPT CABLE PORT		product family PwrBlade code 213		
C	V03-1223	TAB	11/14/03		0°±2°	INCH/MM		size		dwg no 51927-004 sheet 1 of 4	
D	DG08-0273	WD	12/12/08	dr	T. BRUNGARD 10/24/03	scale		A		cage code 22526	
				enr	M. GRAY 10/24/03	1:1					
				chr	M. GRAY 10/24/03						
				appd	M. GRAY 10/24/03						
sheet index	revision sheet	D	D	D	D						
		1	2	3	4						

1 | 2

Pro/E

3 |

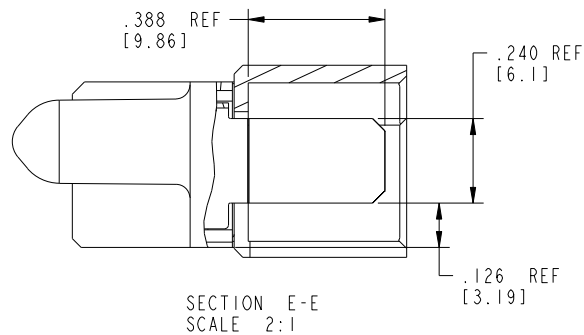
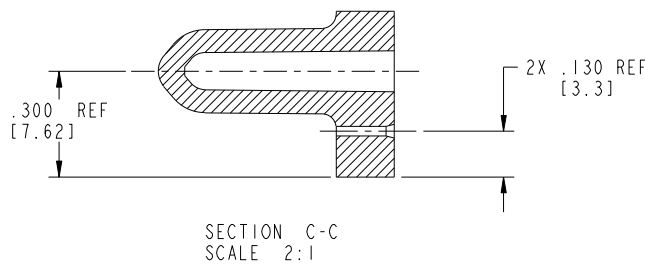
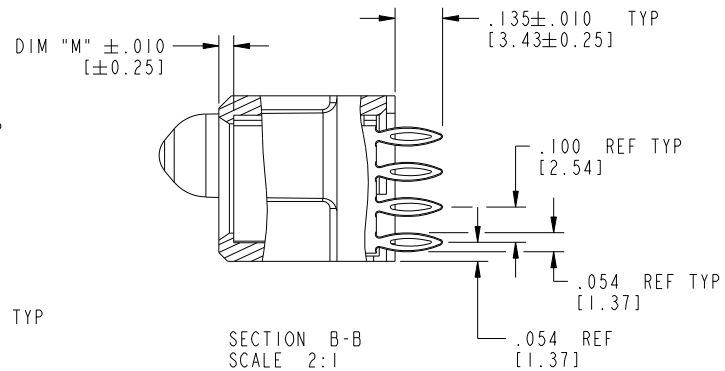
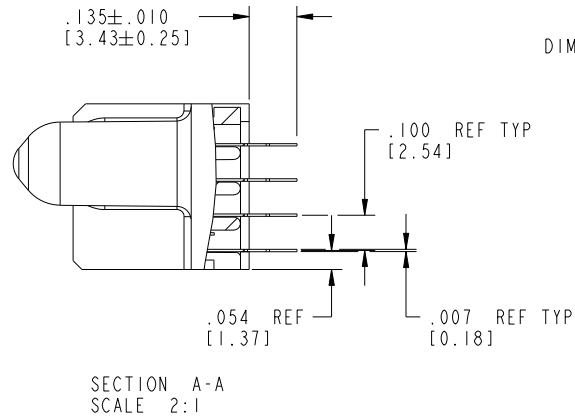
cage code 22526

4

Tous droits strictement reserves. Reproduction ou communication a des tiers interdite sous quelque forme que ce soit sans autorisation écrite du propriétaire. Propriete de c FCI. Droits de reproduction FCI.

All rights strictly reserved. Reproduction or issue to third parties in any form whatsoever is not permitted without written authority from the proprietor. Property of FCI. Copyright FCI.

PRODUCT NUMBER  
51927-004\_\_  
NOTE: 3



mat'l code		SEE NOTE 2		tolerances unless otherwise specified		CUSTOMER		FCJ	
ltr	ecn no.	dr	date	linear	.XX±.01/0.X±0.3	projection	COPY	www.fciconnect.com	
D					.XXX±.005/0.XX±0.13	INCH/MM		title 3ACP + 24S + 6P	
				angles	.XXX±.002/0.XXX±0.051	scale		VERTICAL PF RECEPT CABLE PORT	
				dr	0°±2°	1:1		product family	PwrBlade
				enr	T. BRUNGARD 10/24/03			size	code
				chr	M. GRAY 10/24/03			dwg no	213
				appd	M. GRAY 10/24/03			A 51927-004	sheet
sheet index	revision sheet								2 of 4

Pro/E

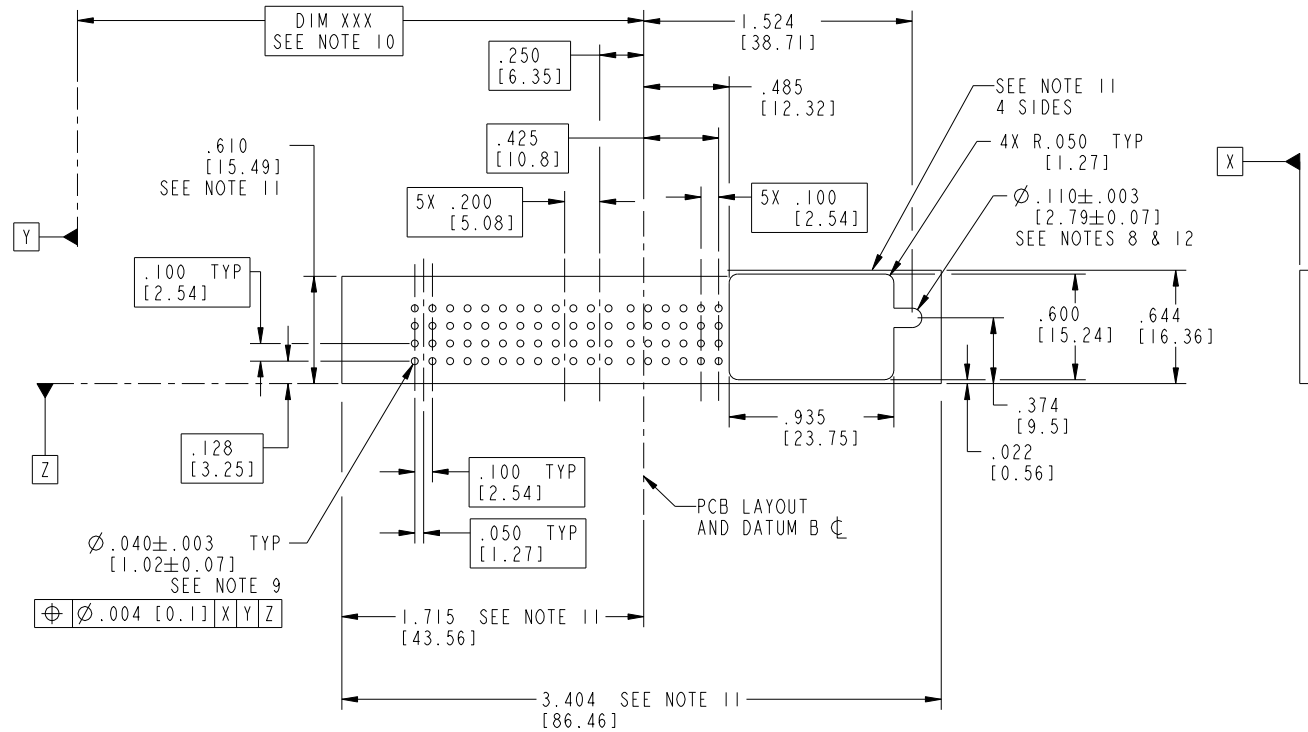
cage code 22526

Tous droits strictement réservés. Reproduction ou communication à des tiers interdite sous quelque forme que ce soit sans autorisation écrite du propriétaire. Propriété de c.FCI. Droits de reproduction FCI.



All rights strictly reserved. Reproduction or issue to third parties in any form whatever is not permitted without written authority from the proprietor. Property of FCI. Copyright FCI.

PRODUCT NUMBER  
51927-004\_\_  
NOTE: 3



mat'l code		SEE NOTE 2		tolerances unless otherwise specified		CUSTOMER				www.fciconnect.com	
ltr	ecn no.	dr	date	linear	.XX±.01/0.X±0.3	COPY		projection		title	
D					.XXX±.005/0.XX±0.13	INCH/MM		3ACP + 24S + 6P		VERTICAL PF RECEPT CABLE PORT	
				angles	.XXX±.0020/0.XXX±0.051	scale		product family		code	
				dr	0°±2°	1:1		PwrBlade		213	
				enr	T. BRUNGARD 10/24/03			size		sheet	
				chr	M. GRAY 10/24/03			dwg no		3 of 4	
				appd	M. GRAY 10/24/03			A		51927-004	
sheet index	revision sheet										

Pro/E

cage code 22526

Tous droits strictement réservés. Reproduction ou communication a des tiers interdite sous quelque forme que ce soit sans autorisation écrite du propriétaire. Propriété de c FCI. Droits de reproduction FCI.



All rights strictly reserved. Reproduction or issue to third parties in any form whatever is not permitted without written authority from the proprietor. Property of FCI. Copyright FCI.

PRODUCT NUMBER  
51927-004\_\_  
NOTE: 3

NOTES:

1. DIMENSIONS AND TOLERANCES ARE IN ACCORDANCE WITH ASME Y14.5M, 1994 UNLESS OTHERWISE SPECIFIED.

CONNECTOR NOTES:

- ② HOUSING MATERIAL: UL 94 V-0 GLASS FILLED HIGH-TEMP THERMOPLASTIC  
POWER CONTACT MATERIAL: COPPER ALLOY  
SIGNAL PIN MATERIAL: COPPER ALLOY
- ⚠ 3. SEE ITEM 5 & 6 IN PRINT 10064183 FOR PLATING SPEC OF 51927-004 AND 51927-004LF RESPECTIVELY.
- ④ MANUFACTURER'S NAME, P/N, AND DATE CODE TO APPEAR ON THIS SURFACE.
- 5. PRODUCT SPECIFICATION GS-12-149.  
APPLICATION SPECIFICATION BUS-20-067.
- 6. PACKAGED IN TRAYS.
- PCB NOTES:
- 7. ALL HOLE DIAMETERS ARE FINISHED HOLE SIZE.
- ⑧ MOUNTING HOLES, WHERE APPLICABLE, ARE UNPLATED.
- ⑨  $\varnothing .0453 \pm .0010$  [1.151  $\pm$  0.025] DRILLED HOLES PLATED WITH  
.0003 [0.008] MIN SnPb OVER .001 [0.03]  
TO .003 [0.08] Cu PLATING TO ACHIEVE  
 $\varnothing .040 \pm .003$  [1.02  $\pm$  .07] HOLE.
- ⑩ "DIM XXX" TO BE DETERMINED BY THE CUSTOMER.
- ⑪ CONNECTOR KEEP-OUT ZONE.
- ⑫ RECOMMENDED RETENTION TO PCB  
 $\varnothing .110$  [2.79] THRU HOLE FOR M2.5 SOCKET HEAD CAP SCREW, MAX HEAD  $\varnothing .177$  [4.50]  
RECOMMENDED SCREW LENGTH: .472 [12.00] + PCB THICKNESS  
RECOMMENDED SCREW SEATING TO PCB TORQUE: 2-5 lbf-in (2300-5760 gf-cm).
- 13. ⚠ SYMBOL WILL BE NEXT TO ANY DIMENSION, VIEW, OR NOTE WHICH HAS BEEN MODIFIED WITH THE CURRENT DRAWING REVISION.

mat'l code				SEE NOTE 2		tolerances unless otherwise specified		CUSTOMER		FCI		www.fciconnect.com	
ltr	ecn no.	dr	date	linear	.XX±.01/0.X±0.3		COPY		projection	title			3ACP + 24S + 6P VERTICAL PF RECEPT CABLE PORT
D					.XXX±.005/0.XX±0.13		INCH/MM			product family		PwrBlade	
				angles	.XXX±.002/0.XXX±0.051		1:1		size		dwg no		213
				dr	0°±2°		scale		A		51927-004		sheet
				enr	T. BRUNGARD	10/24/03							4 of 4
				chr	M. GRAY	10/24/03							
				appd	M. GRAY	10/24/03							
sheet index	revision sheet												

cage code 22526

Pro/E