

Max. Temperature: 260° during 10 seconds.

0955 229 3811 741	1	M3	Black insulator	Reel Packaging: 140 connectors (See details on page2/2)														
0955 229 3812 741	1	4-40 UNC																
0955 229 6811 741	2	M3																
0955 229 6812 741	2	4-40 UNC																
0955 229 7811 741	3	M3																
0955 229 7812 741	3	4-40 UNC																
Part number	PL	Nut	Index designation															
		Techn. Character.		Free size tolerances														
		<table border="1"> <tr> <td></td> <td>Dat.</td> <td>Name</td> <td>Scale</td> </tr> <tr> <td></td> <td>25-Oct-11</td> <td>Johnson.S</td> <td rowspan="3">2:1</td> </tr> <tr> <td></td> <td>17-Nov-11</td> <td>Steven.W</td> </tr> <tr> <td></td> <td>17-Nov-11</td> <td>Steven.W</td> </tr> </table>			Dat.	Name	Scale		25-Oct-11	Johnson.S	2:1		17-Nov-11	Steven.W		17-Nov-11	Steven.W	D-Sub SMT, 15 poles Male, Straight with nuts and ground pads
	Dat.	Name	Scale															
	25-Oct-11	Johnson.S	2:1															
	17-Nov-11	Steven.W																
	17-Nov-11	Steven.W																
EC04070	17-Nov-11	Johnson.S	Zhuhai HARTING Limited															
Mod.	Dat.	Name	TB 09 55 229 x81x	Page 1/2														
			Sub.															

All rights reserved

1 2 4 5 6 7 8

A A

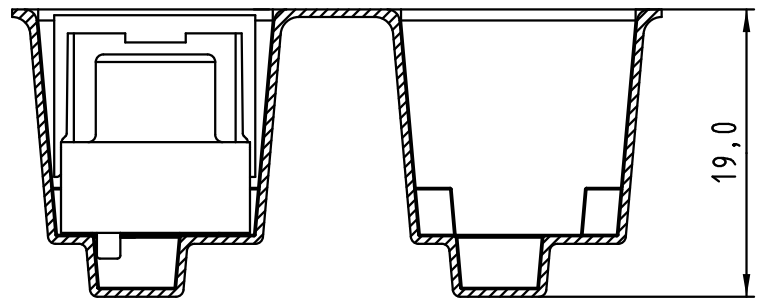
B B

C C

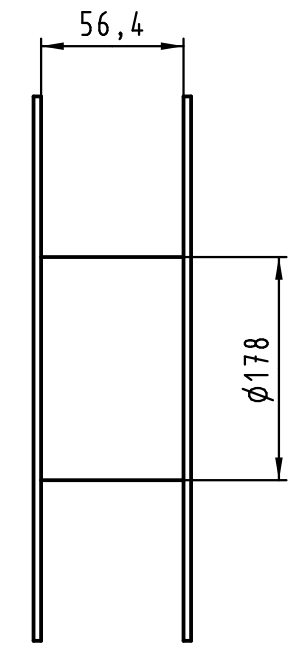
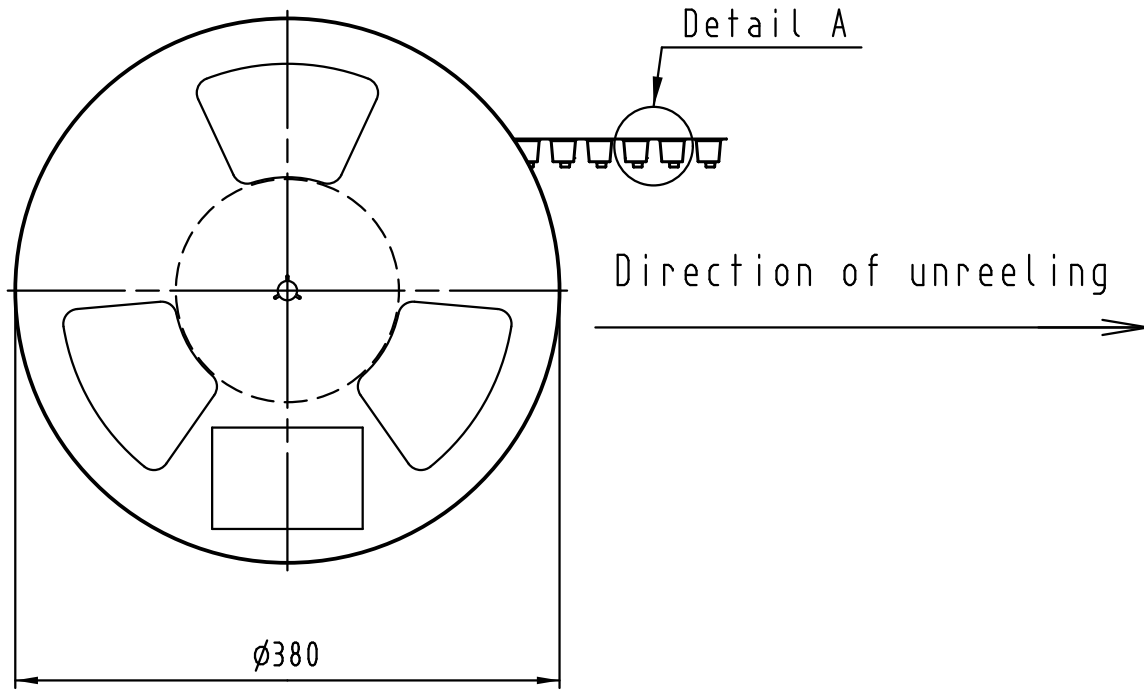
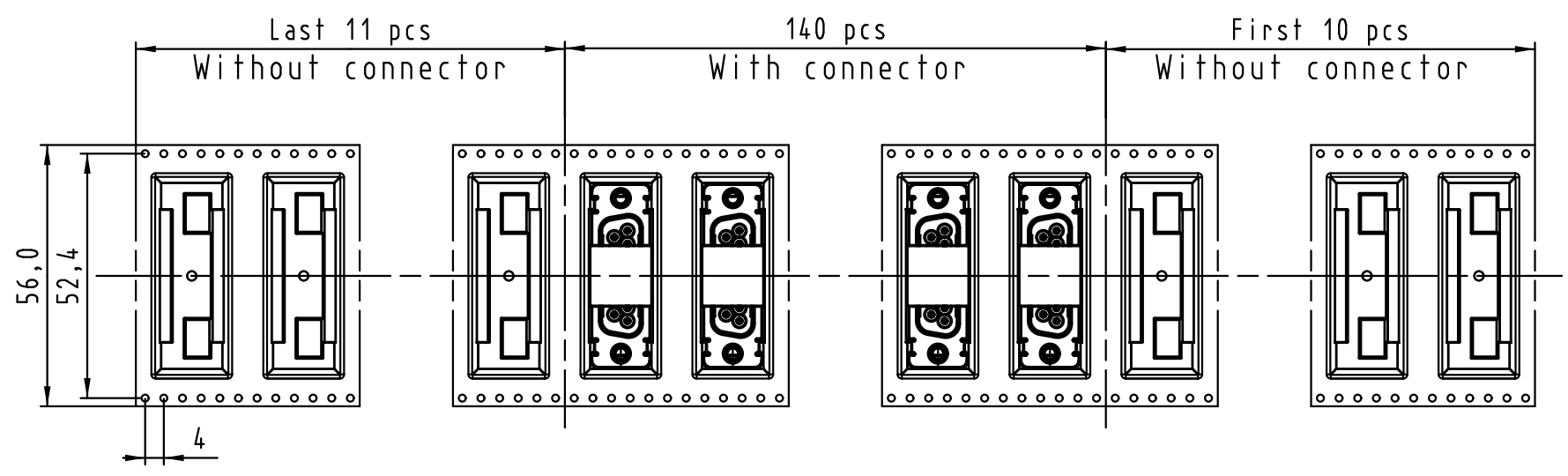
D D

E E

F F



Detail A



See TB 09 55 229 x81x folio 1/2 for connector dimensions and PCB layout

Packaging in accordance with EIA 481-2.

0955 229 3811 741	1	M3	Black insulator	Reel Packaging: 140 connectors
0955 229 3812 741	1	4-40 UNC		
0955 229 6811 741	2	M3		
0955 229 6812 741	2	4-40 UNC		
0955 229 7811 741	3	M3		
0955 229 7812 741	3	4-40 UNC		
Part number	PL	Nut	Index designation	

			Techn. Character.			Free size tolerances			
			Dat.		Name	Scale			
			Detail.		25-Oct-11	Johnson.S	D-Sub SMT, 15 poles Male, Straight with nuts and ground pads		
			Insp.		17-Nov-11	Steven.W			
			Stand.		17-Nov-11	Steven.W			
EC04070			17-Nov-11	Johnson.S	Zhuhai HARTING Limited			TB 09 55 229 x81x	
Mod.			Dat.	Name			Sub.	Page 2/2	

All rights reserved