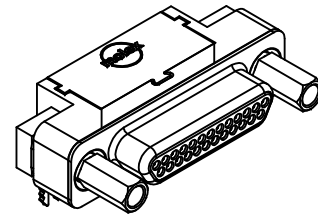
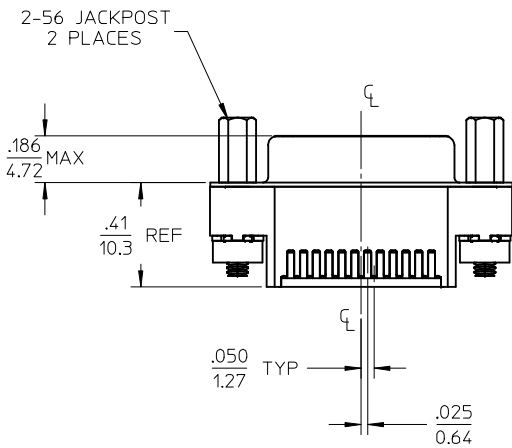
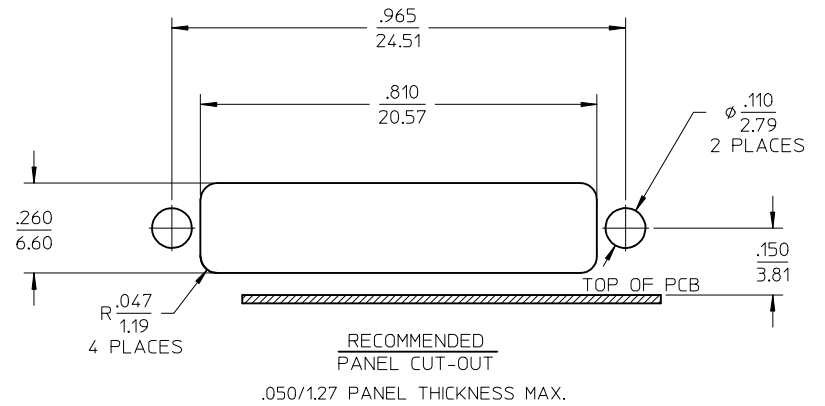
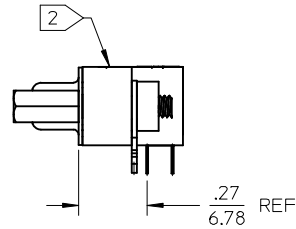
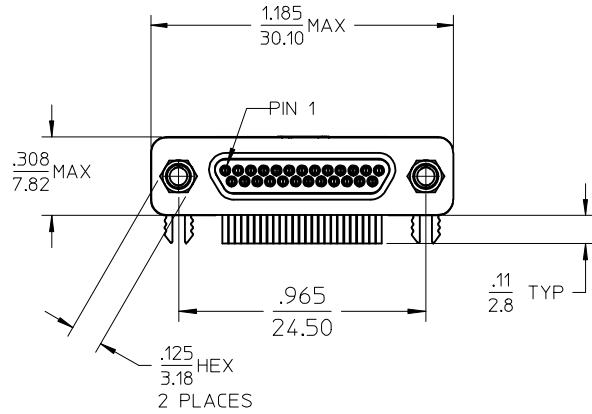
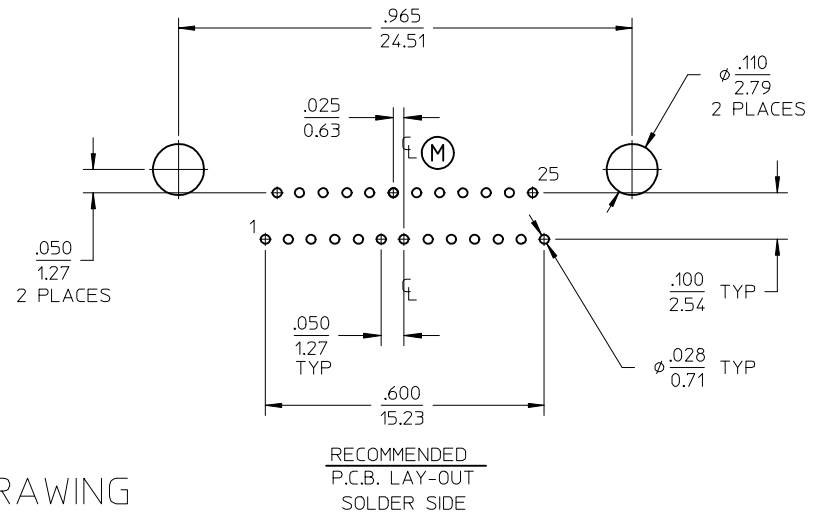


10	9	8	7	6	5	4	3	2	1
MATERIAL NO.	ENG. NO.								
836149012	83614-9012								



RECOMMENDED PANEL THICKNESS .055(1.4) REF



SALES DRAWING

- 3. ROHS COMPLIANT
 - 2. DATE CODE LOCATION
 - 1. REFER TO PS-83421-9000 FOR PRODUCT SPECIFICATION.
- NOTES: UNLESS OTHERWISE SPECIFIED.

UPDATE C.L. DIM EC NO: IPG2015-2074 DRWN:BRUPERT 2015/06/02 CHKD: APPR:WOODMAN 2015/06/09 M	DESCRIPTION QUALITY SYMBOLS ▽=0 ◻=0	GENERAL TOLERANCES (UNLESS SPECIFIED)		DIMENSION STYLE IN/MM		SCALE 2:1	DESIGN UNITS INCH	THIRD ANGLE PROJECTION		
			mm	INCH	DRAWN BY	DATE	TITLE			
		4 PLACES	± ---	± ---	JLOMASTR	04/09/22	COMM-D,PLG,RT ANG SIZE 25,REM.JKPOST			
		3 PLACES	± ---	± .005	CHECKED BY	DATE				
	2 PLACES	± 0.13	± .01	RDEROSS	04/09/27					
	1 PLACE	± 0.25	± ---	APPROVED BY	DATE					
	ANGULAR ± 1/2°			RDEROSS	04/09/29					
DRAFT WHERE APPLICABLE MUST REMAIN WITHIN DIMENSIONS		SEE CHART		MATERIAL NO.		DOCUMENT NO.		SHEET NO.		
				A3		THIS DRAWING CONTAINS INFORMATION THAT IS PROPRIETARY TO MOLEX INCORPORATED AND SHOULD NOT BE USED WITHOUT WRITTEN PERMISSION		1 OF 1		