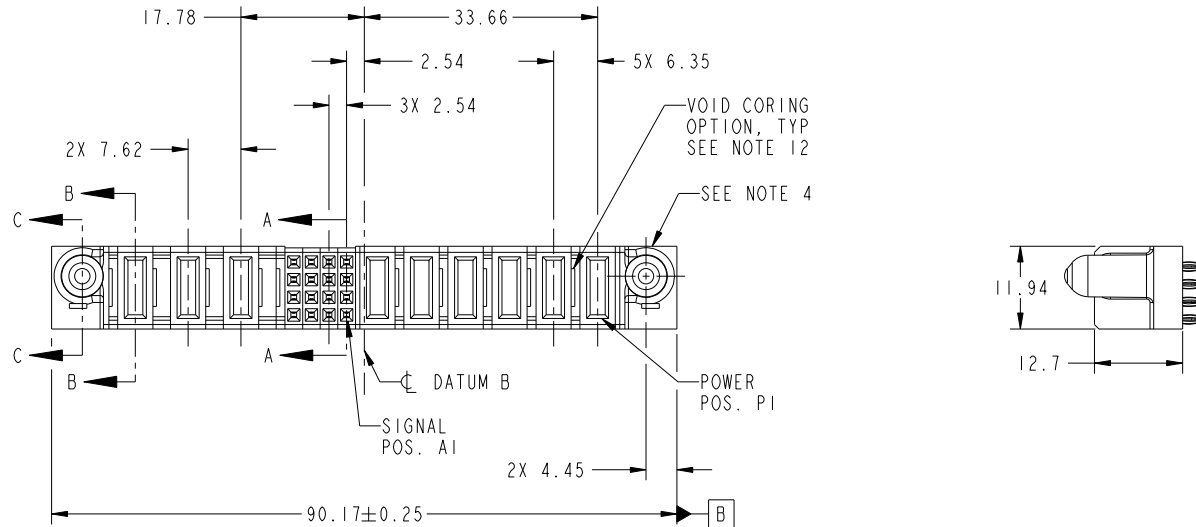


Tous droits strictement reserves. Reproduction ou communication a des tiers interdite sous quelque forme que ce soit sans autorisation écrite du propriétaire. Propriete de c FCI. Droits de reproduction FCI.



All rights strictly reserved. Reproduction or issue to third parties in any form whatever is not permitted without written authority from the proprietor. Property of FCI. Copyright FCI.

PRODUCT NO.	ROWS	POWER			SIGNAL			POWER								
		E2	P9	P8	P7	4	3	2	1	P6	P5	P4	P3	P2	P1	E1
51940-279-- NOTE: 3	D C B A		PF	PF	PC	F	F	F	F	PC	PC	PC	PF	PF	PF	



CODE	DIM "M" MATING LENGTH	CONTACT TYPE
PF	[2.34]	POWER
F	[N/A]	SIGNAL
PC	[1.07]	POWER

mat'l code				SEE NOTES		tolerances unless otherwise specified		CUSTOMER	
ltr	ecn no.	dr	date	linear	0.X ±0.5	projection	COPY		
A	DG09-0033	WD	02/16/09	angles	0.XX ±0.25		title		
					0.XXX ±0.1		6P + 16S + 3ACP		
				dr	0° ±2°	scale	VERTICAL PRESS-FIT RECEPT		
				enr	Warren Du 02/10/09	1:1	product family		code
				chr	Warren Du 02/10/09		PwrBlade		213
				appd	Gary Hsieh 02/10/09		size	dwg no	sheet
					Joseph Hsia 02/10/09		A	51940-279	1 of 4
sheet index	revision sheet	A	A	A	A				
		1	2	3	4				

cage code 22526

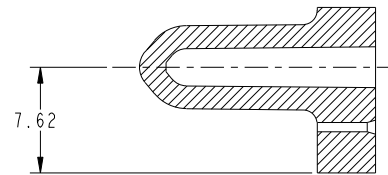
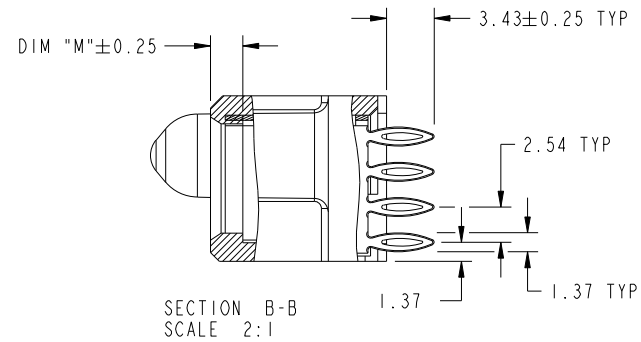
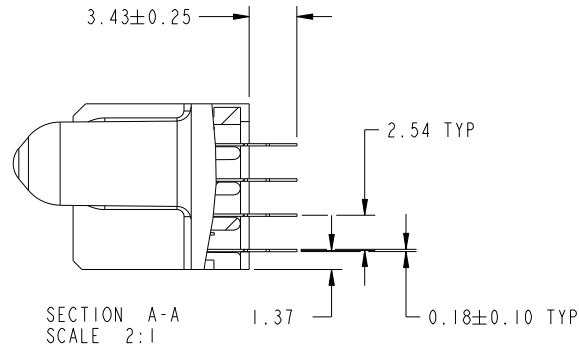
Pro/E

Tous droits strictement reserves. Reproduction ou communication a des tiers interdite sous quelque forme que ce soit sans autorisation écrite du propriétaire. Propriete de c FCI. Droits de reproduction FCI.



All rights strictly reserved. Reproduction or issue to third parties in any form whatever is not permitted without written authority from the proprietor. Property of FCI. Copyright FCI.

PRODUCT NUMBER
51940-279--
NOTE: 3



mat'l code				tolerances unless otherwise specified		CUSTOMER		FCI	
ltr	ecn no.	dr	date	linear	0.X ±0.5	COPY		www.fciconnect.com	
A					0.XX ±0.25	projection		title	
					0.XXX ±0.1			6P + 16S + 3ACP VERTICAL PRESS-FIT RECEIPT	
				angles	0° ±2°			product family PwrBlade code	
		dr	Warren Du	02/10/09		scale		size	
		enr	Warren Du	02/10/09		1:1		dwg no	
		chr	Gary Hsieh	02/10/09				213	
		appd	Joseph Hsia	02/10/09				sheet	
sheet index		revision sheet						2 of 4	

Pro/E

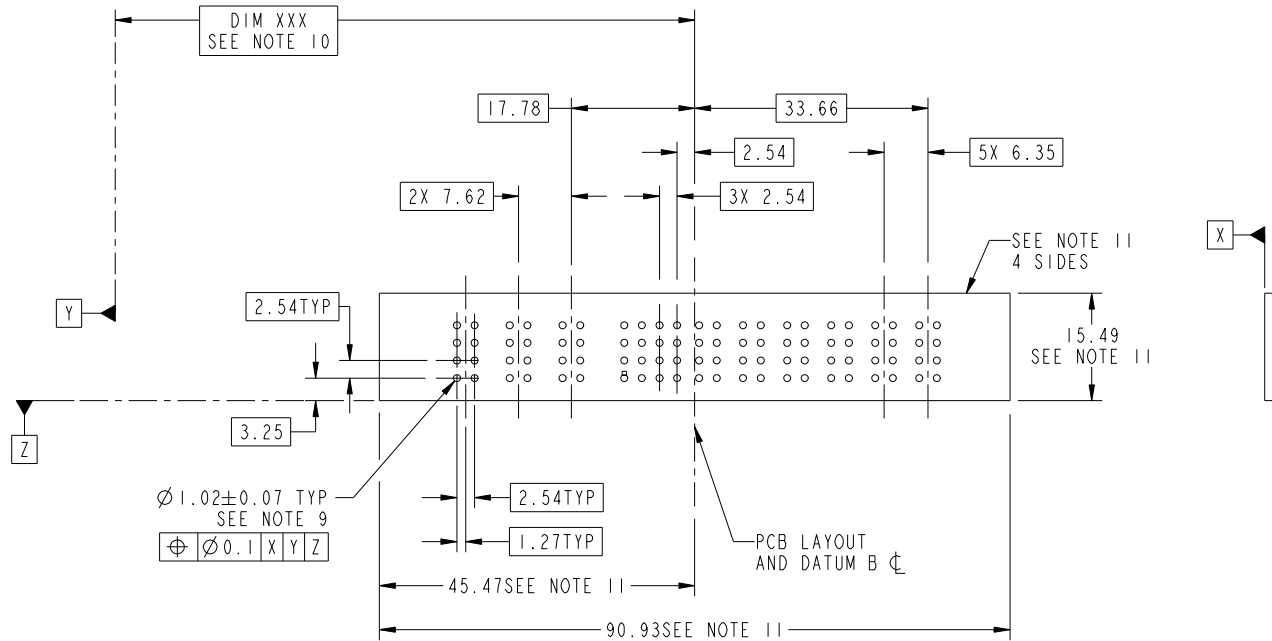
cage code 22526

Tous droits strictement reserves. Reproduction ou communication a des tiers interdite sous quelque forme que ce soit sans autorisation écrite du propriétaire. Propriete de c FCI. Droits de reproduction FCI.

All rights strictly reserved. Reproduction or issue to third parties in any form whatever is not permitted without written authority from the proprietor. Property of FCI. Copyright FCI.



PRODUCT NUMBER
51940-279--
NOTE: 3



RECOMMENDED PCB LAYOUT

mat'l code				tolerances unless otherwise specified		CUSTOMER		 www.fciconnect.com	
ltr	ecn no.	dr	date	linear	0.X ± 0.5	COPY		title	
A					0.XX ± 0.25	projection		6P + 16S + 3ACP	
				angles	0.XXX ± 0.1			VERTICAL PRESS-FIT RECEPT	
					0° ± 2°			product family PwrBlade code	
				dr	Warren Du 02/10/09	scale		size	
				enr	Warren Du 02/10/09	1:1		dwg no	
				chr	Gary Hsieh 02/10/09			A 51940-279	
				app	Joseph Hsia 02/10/09			sheet	
sheet index	revision sheet							3 of 4	

cage code 22526

Pro/E

Tous droits strictement reserves. Reproduction ou communication a des tiers interdite sous quelque forme que ce soit sans autorisation écrite du propriétaire. Propriete de c FCI. Droits de reproduction FCI.

All rights strictly reserved. Reproduction or issue to third parties in any form whatever is not permitted without written authority from the proprietor. Property of FCI. Copyright FCI.



PRODUCT NUMBER
51940-279--
NOTE: 3

NOTES:

1. DIMENSIONS AND TOLERANCES ARE IN ACCORDANCE WITH ASME Y14.5M, 1994 UNLESS OTHERWISE SPECIFIED.

CONNECTOR NOTES:

- ② HOUSING MATERIAL: UL 94 V-0 GLASS FILLED HIGH-TEMP THERMOPLASTIC
POWER CONTACT MATERIAL: COPPER ALLOY
SIGNAL PIN MATERIAL: COPPER ALLOY
- 3. SEE ITEM 7 & 8 IN PRINT 10064183 FOR PLATING SPEC OF 51940-279 AND 51940-279LF RESPECTIVELY.
- ④ MANUFACTURER'S NAME, P/N, AND DATE CODE TO APPEAR ON THIS SURFACE.
- 5. PRODUCT SPECIFICATION GS-12-149.
APPLICATION SPECIFICATION BUS-20-067.
- 6. PACKAGED IN TRAYS.

PCB NOTES:

- 7. ALL HOLE DIAMETERS ARE FINISHED HOLE SIZE.
- ⑧ MOUNTING HOLES, WHERE APPLICABLE, ARE UNPLATED.
- ⑨ $\varnothing 1.151 \pm 0.025$ DRILLED HOLES PLATED WITH
0.008 MIN SnPb OR Sn OVER 0.03
TO 0.08 Cu PLATING TO ACHIEVE
 $\varnothing 1.02 \pm 0.07$ HOLE.
- ⑩ "DIM XXX" TO BE DETERMINED BY THE CUSTOMER.
- ⑪ CONNECTOR KEEP-OUT ZONE.
- 12. THE VOID CORING IN BETWEEN POWER MODULES, SIGNAL MODULES AND END MODULES ARE OPTIONAL AND THE SHAPE MAY BE DIFFERENT FOR OPTIMIZE THE MOLDING PROCESS. THE VOID CORING WILL NOT EFFECT TO PRODUCT FUNCTION.

mat'l code				tolerances unless otherwise specified		CUSTOMER		FCI	
lfr	ecn no.	dr	date	linear	0.X ± 0.5	COPY		www.fciconnect.com	
A				linear	0.XX ± 0.25	projection	title 6P + 16S + 3ACP VERTICAL PRESS-FIT RECEPT		
				angles	0.XXX ± 0.1				
				dr	0° + 2°	MIM		product family	PwrBlade
				enrg	Warren Du 02/10/09	← MIM →		size	dwg no
				chr	Warren Du 02/10/09	scale	1:1	A	51940-279
				appd	Gary Hsieh 02/10/09			code	213
					Joseph Hsia 02/10/09			sheet	4 of 4
sheet index	revision sheet								

cage code 22526

Pro/E