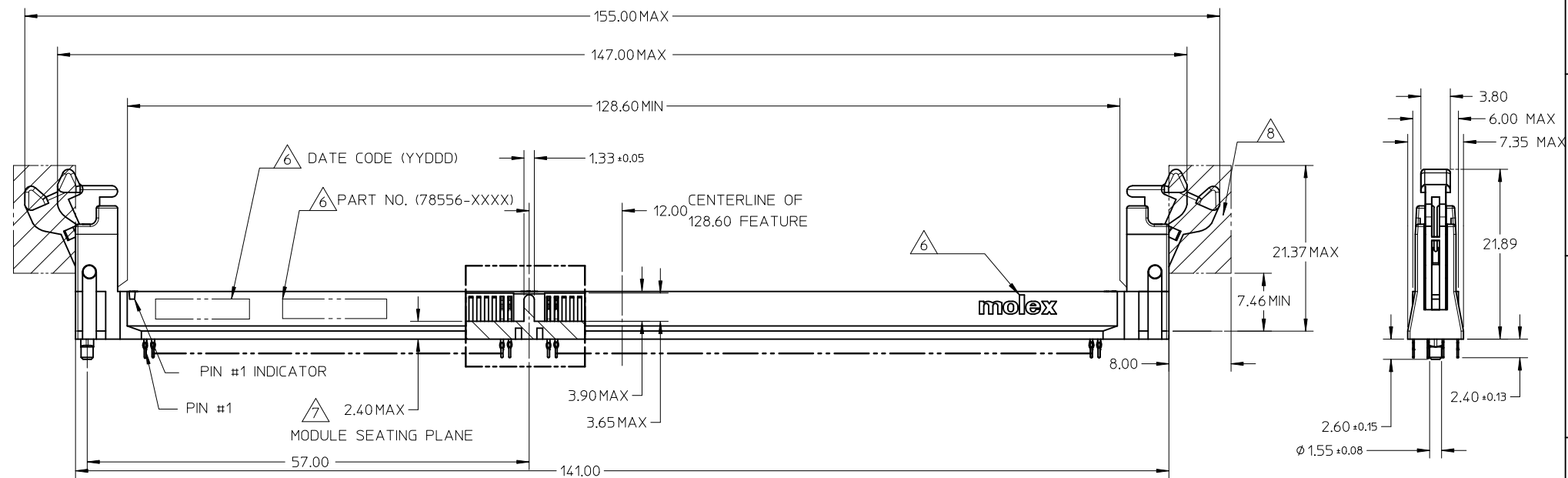
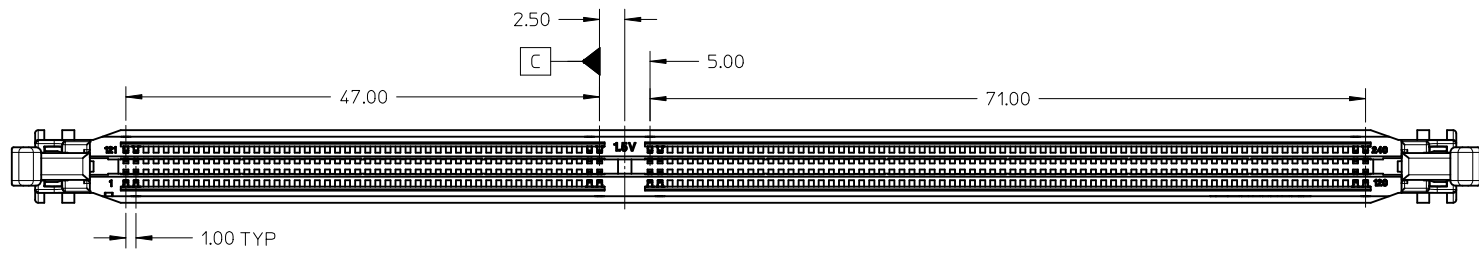


10 9 8 7 6 5 4 3 2 1



NOTES:

- MATERIAL:
HOUSING - POLYAMIDE (PA) GLASS FILLED, UL 94V-0, COLOR - SEE TABLE
LATCH - POLYAMIDE (PA) GLASS FILLED, UL 04V-0, COLOR - SEE TABLE
TERMINAL - COPPER ALLOY
- FINISHES: TERMINAL PLATING SEE TABLE ON SHEET 5
- PRODUCT SPECIFICATION: PS-78556-001
- PACKAGING SPECIFICATION: PRODUCT SHALL BE PACKED IN TRAYS
- CARD SLOT ACCEPTS 1.27+/-0.10MM MODULE THICKNESS (MEASURED FROM PC PADS)

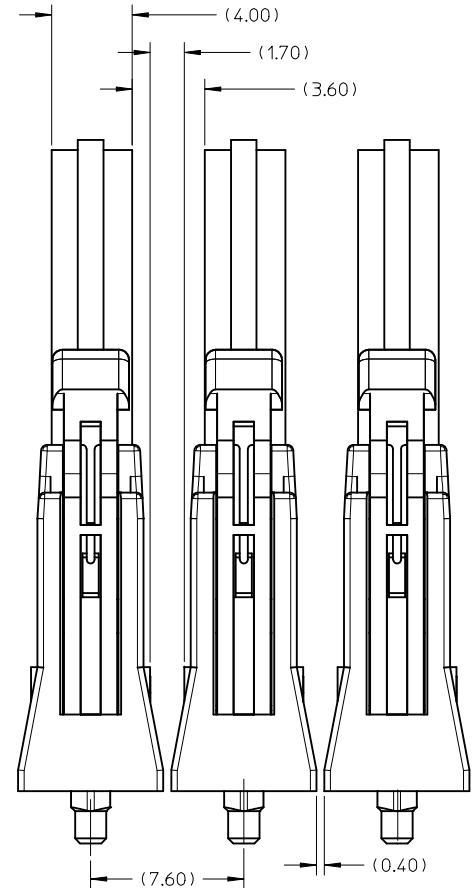
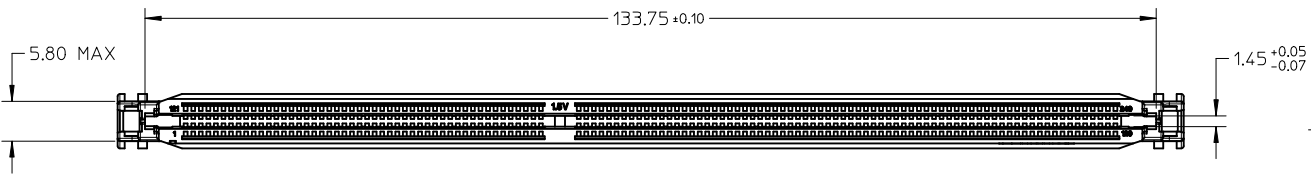
- 6 MOLEX LOGO, DATE & PART NUMBERS INDICATED ON HOUSING
- 7 MODULE SEATING PLANE FROM TOP OF PCB
- 8 KEEP OUT ZONE RESERVED FOR LATCH

INITIAL RELEASE EC NO: S2011-0631 DRWN:CTEH 2011/01/06 CHKD:CGTAN 2011/01/26 APPR:SHLENI 2011/01/26	DESCRIPTION REV 1	QUALITY SYMBOLS	GENERAL TOLERANCES (UNLESS SPECIFIED)	DIMENSION STYLE	SCALE	DESIGN UNITS	THIRD ANGLE PROJECTION	
		$F_A=0$ $F_G=0$ $F_P=0$	mm INCH 4 PLACES ± --- ± --- 3 PLACES ± --- ± --- 2 PLACES ± 0.20 ± --- 1 PLACE ± --- ± --- ANGULAR ± 1 °	MM ONLY	NTS	METRIC		
			DRAFT WHERE APPLICABLE MUST REMAIN WITHIN DIMENSIONS	DRAWN BY: CTEH DATE: 2011/01/06 CHECKED BY: CGTAN DATE: 2011/01/26 APPROVED BY: SHLENI DATE: 2011/01/26	TITLE	ASSY + MODULE + PCB 1.00MM PITCH DDR3 LSP 240CKT VERT. P/F LOWLLCR		
				MATERIAL NO. DOCUMENT NO. SHEET NO. SEE TABLE SD-78556-001 1 OF 5	MOLEX INCORPORATED			

THIS DRAWING CONTAINS INFORMATION THAT IS PROPRIETARY TO MOLEX INCORPORATED AND SHOULD NOT BE USED WITHOUT WRITTEN PERMISSION

9 8 7 6 5 4 3 2 1

10 9 8 7 6 5 4 3 2 1



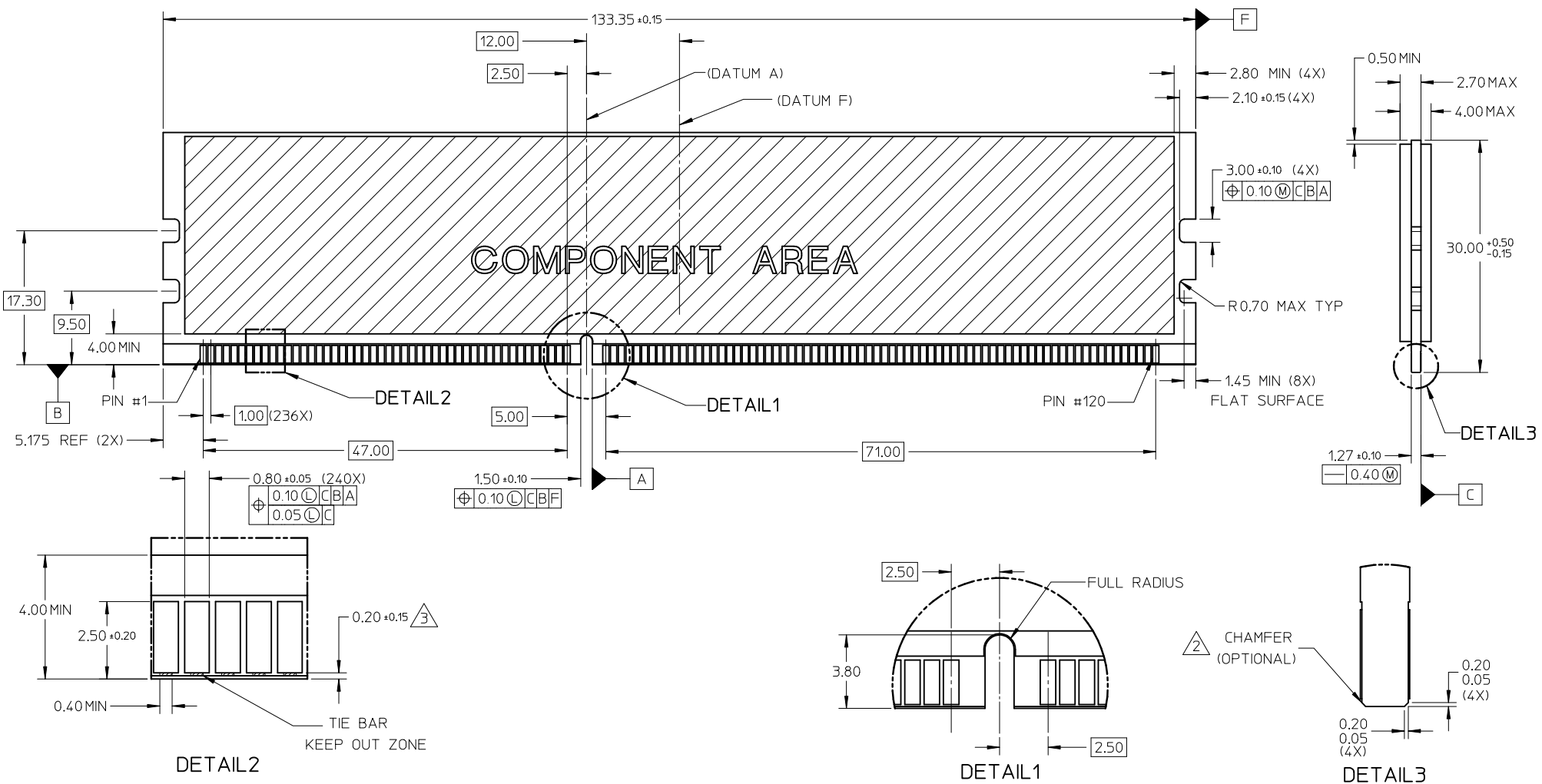
MINIMUM ROW TO ROW SPACING RECOMMENDATION (USING 4.00MM MODULE CARD)



INITIAL RELEASE EC NO: S2011-0631 DRWN: CCTEH 2011/01/06 CHKD: CGTAN 2011/01/26 APPR: SHLENI 2011/01/26	DESCRIPTION REV 1	QUALITY SYMBOLS	GENERAL TOLERANCES (UNLESS SPECIFIED)		DIMENSION STYLE MM ONLY		SCALE NTS	DESIGN UNITS METRIC	THIRD ANGLE PROJECTION
		$\nabla_A = 0$ $\nabla_C = 0$ $\nabla_P = 0$	mm INCH 4 PLACES ± --- ± --- 3 PLACES ± --- ± --- 2 PLACES ± 0.20 ± --- 1 PLACE ± --- ± ---	DRAWN BY CCTEH CHECKED BY CGTAN APPROVED BY SHLENI	DATE 2011/01/06 DATE 2011/01/26 DATE 2011/01/26	TITLE ASSY + MODULE + PCB 1.00MM PITCH DDR3 LSP 240CKT VERT. P/F LOWLLCR		MOLEX INCORPORATED DOCUMENT NO. SD-78556-001	SHEET NO. 2 OF 5
		ANGULAR ± 1 °		DRAFT WHERE APPLICABLE MUST REMAIN WITHIN DIMENSIONS		SEE TABLE			
						MATERIAL NO. SIZE A3		THIS DRAWING CONTAINS INFORMATION THAT IS PROPRIETARY TO MOLEX INCORPORATED AND SHOULD NOT BE USED WITHOUT WRITTEN PERMISSION	

9 8 7 6 5 4 3 2 1

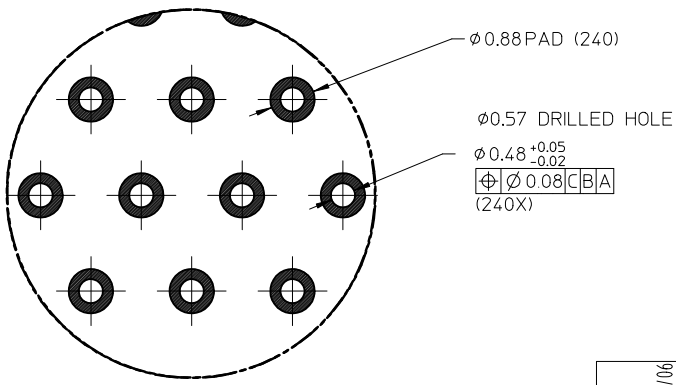
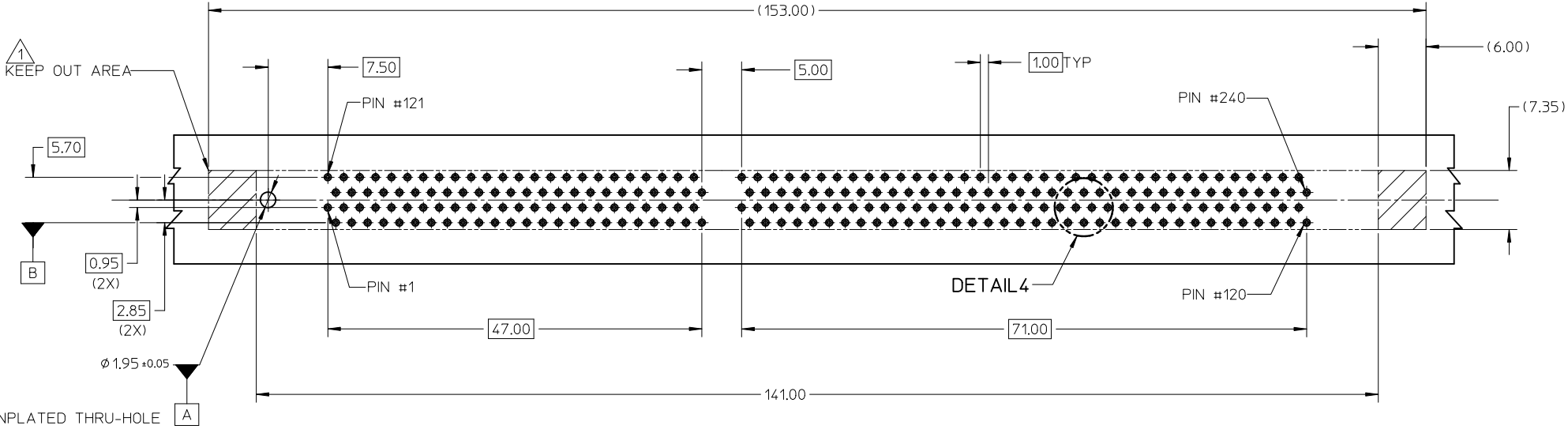
MODULE CARD
 DDR3 DUAL IN-LINE MEMORY MODULE FAMILY 1.00MM CONTACT CENTERS
 (JEDEC MO-269, ISSUE B, MAY 06)



- NOTES:
- RECOMMENDED PLATING FOR CONTACT PADS:
 PREFERRED: 0.76 MICROMETERS GOLD PLATING MIN OVER 2.00 MICROMETERS NICKEL
 ALTERNATIVE: 0.05-0.75 MICROMETERS GOLD PLATING OVER 2.00 MICROMETERS NICKEL MUST USE AN ELECTRONIC CONTACT GRADE CORROSIVE BARRIER LUBRICANT
 - CHAMFER IS OPTIONAL AND IS NOT TO HIT THE GOLD PADS
 - LEADING EDGE OF GOLD PADS SPECIFIED BY KEEPOUT ZONE SHALL BE FREE OF BURRS AND EXTERNAL TIE BARS.

INITIAL RELEASE EC NO: S2011-0631 DRWN: CTEH 2011/01/06 CHKD: CGTAN 2011/01/26 APPR: SHLENI 2011/01/26	QUALITY SYMBOLS $F_A=0$ $F_C=0$ $F_P=0$	GENERAL TOLERANCES (UNLESS SPECIFIED)		DIMENSION STYLE MM ONLY		SCALE NTS	DESIGN UNITS METRIC	THIRD ANGLE PROJECTION		
		mm	INCH	DRAWN BY	DATE	TITLE				
		4 PLACES ± --- ± ---	CGTEH	2011/01/06	ASSY + MODULE + PCB 1.00MM PITCH DDR3 LSP 240CKT VERT. P/F LOWLLCR					
		3 PLACES ± --- ± ---	CHECKED BY	DATE	MOLEX INCORPORATED					
2 PLACES ± 0.20 ± ---	CGTAN	2011/01/26	APPROVED BY DATE SHLENI 2011/01/26							
1 PLACE ± --- ± ---	APPR: SHLENI	2011/01/26	MATERIAL NO. DOCUMENT NO.							
ANGULAR ± 1 °		SEE TABLE		SD-78556-001		SHEET NO. 3 OF 5				
DRAFT WHERE APPLICABLE MUST REMAIN WITHIN DIMENSIONS		SIZE A3		THIS DRAWING CONTAINS INFORMATION THAT IS PROPRIETARY TO MOLEX INCORPORATED AND SHOULD NOT BE USED WITHOUT WRITTEN PERMISSION						

10 9 8 7 6 5 4 3 2 1



DETAIL 4

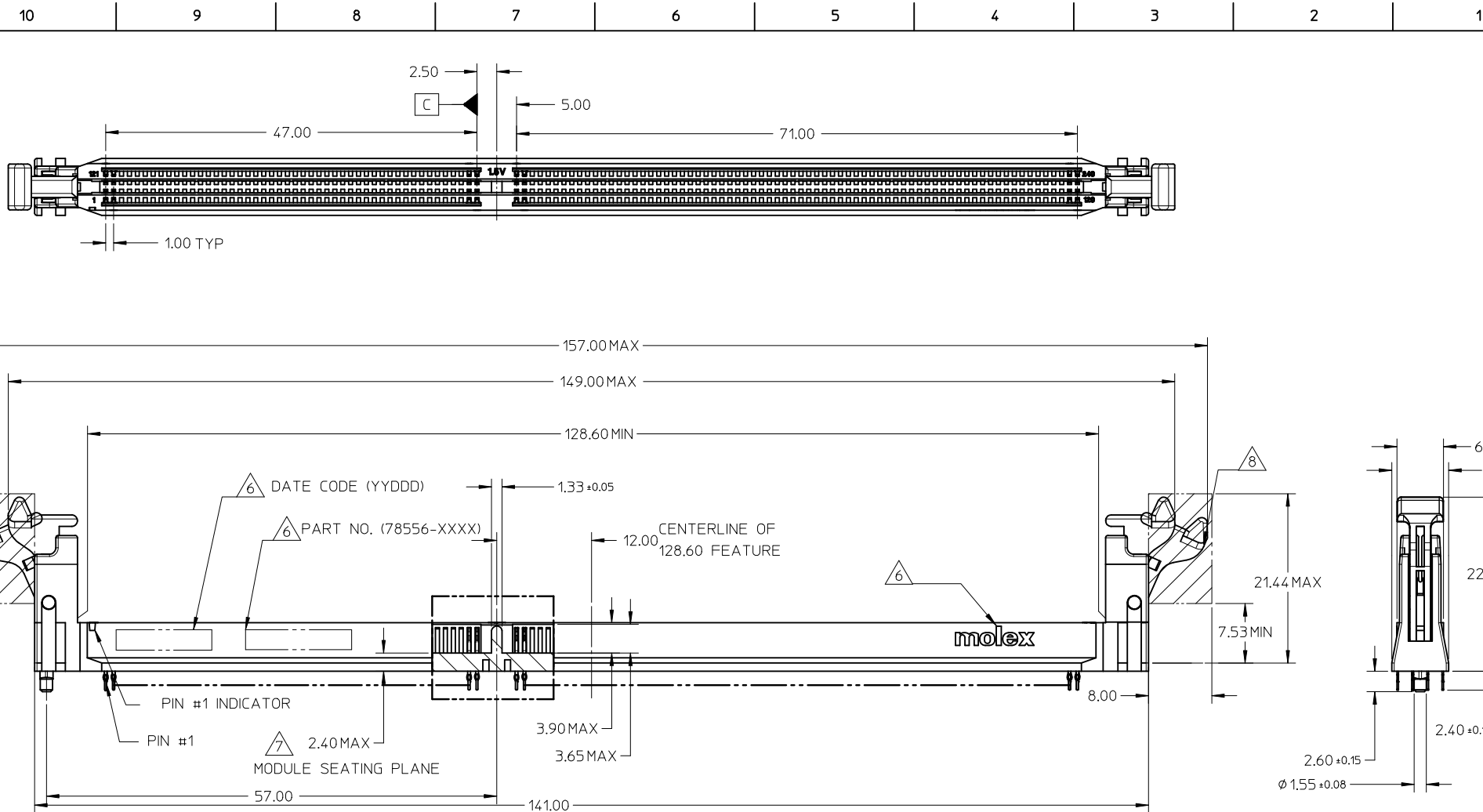
NOTES:
 1. KEEP-OUT AREA IS THE AREA WHERE THE CONNECTOR (INCLUDING LATCH) IS MOUNTED ON THE PCB

INITIAL RELEASE EC NO: S2011-0631 DRWN: CTEH 2011/01/06 CHKD: CGTAN 2011/01/26 APPR: SHLENI 2011/01/26	QUALITY SYMBOLS	GENERAL TOLERANCES (UNLESS SPECIFIED)		DIMENSION STYLE MM ONLY		SCALE NTS	DESIGN UNITS METRIC	THIRD ANGLE PROJECTION	
	$F_A=0$	mm	INCH	DRAWN BY CTEH	DATE 2011/01/06	TITLE			
	$F_C=0$	4 PLACES ± ---	± ---	CHECKED BY CGTAN	DATE 2011/01/26	ASSY + MODULE + PCB 1.00MM PITCH DDR3 LSP 240CKT VERT. P/F LOWLLCR			
	$F_P=0$	2 PLACES ± 0.20	± ---	APPROVED BY SHLENI	DATE 2011/01/26	MOLEX INCORPORATED			
		1 PLACE ± ---	± ---	ANGULAR ± 1 °		MATERIAL NO.	DOCUMENT NO.	SHEET NO.	
		DRAFT WHERE APPLICABLE MUST REMAIN WITHIN DIMENSIONS		SEE TABLE		SD-78556-001		4 OF 5	
		THIS DRAWING CONTAINS INFORMATION THAT IS PROPRIETARY TO MOLEX INCORPORATED AND SHOULD NOT BE USED WITHOUT WRITTEN PERMISSION							

9 8 7 6 5 4 3 2 1

PART NO.	KEY POS.	RECOMMENDED PCB THICKNESS	PLATING OPTION		LATCH COLOUR	HOUSING COLOUR
			CONTACT AREA	TAIL AREA		
78556-0001	CENTER (1.5V)	3.00	0.76 MICROMETER/ 30 MICROINCH MIN. GOLD OVER 1.27 MICROMETER/ 50 MICROINCH MIN. NICKEL UNDERPLATE	0.38 TO 1.52 MICROMETER/15 TO 60 MICROINCH MIN TIN (MATT) OVER 1.27 MICROMETER/ 50 MICROINCH MIN. NICKEL UNDERPLATE	BLACK	BLACK
78556-0051					BLUE	BLUE
78556-0061					NATURAL	NATURAL
78556-0201			0.76 MICROMETER/ 30 MICROINCH MIN. GOLD OVER 1.27 MICROMETER/ 50 MICROINCH MIN. NICKEL UNDERPLATE	0.38 TO 1.52 MICROMETER/15 TO 60 MICROINCH MIN TIN/LEAD (BRIGHT) OVER 1.27 MICROMETER/ 50 MICROINCH MIN. NICKEL UNDERPLATE	BLACK	BLACK
78556-0251					BLUE	BLUE
78556-0261					NATURAL	NATURAL

INITIAL RELEASE EC NO: S2011-0631 DRWN: CCTEH 2011/01/06 CHKD: CGTAN 2011/01/26 APPR: SHLENI 2011/01/26	DESCRIPTION REV 1	QUALITY SYMBOLS	GENERAL TOLERANCES (UNLESS SPECIFIED)	DIMENSION STYLE MM ONLY	SCALE NTS	DESIGN UNITS METRIC	THIRD ANGLE PROJECTION
		$\nabla_A = 0$ $\nabla_C = 0$ $\nabla_P = 0$	mm INCH 4 PLACES ± --- ± --- 3 PLACES ± --- ± --- 2 PLACES ± 0.20 ± --- 1 PLACE ± --- ± --- ANGULAR ± 1 °	DRAWN BY DATE CCTEH 2011/01/06 CHECKED BY DATE CGTAN 2011/01/26 APPROVED BY DATE SHLENI 2011/01/26	TITLE ASSY + MODULE + PCB 1.00MM PITCH DDR3 LSP 240CKT VERT. P/F LOWLLCR		
		DRAFT WHERE APPLICABLE MUST REMAIN WITHIN DIMENSIONS	MATERIAL NO. SEE TABLE	DOCUMENT NO. MOLEX INCORPORATED SD-78556-001	SHEET NO. 5 OF 5		
		SIZE A3	THIS DRAWING CONTAINS INFORMATION THAT IS PROPRIETARY TO MOLEX INCORPORATED AND SHOULD NOT BE USED WITHOUT WRITTEN PERMISSION				



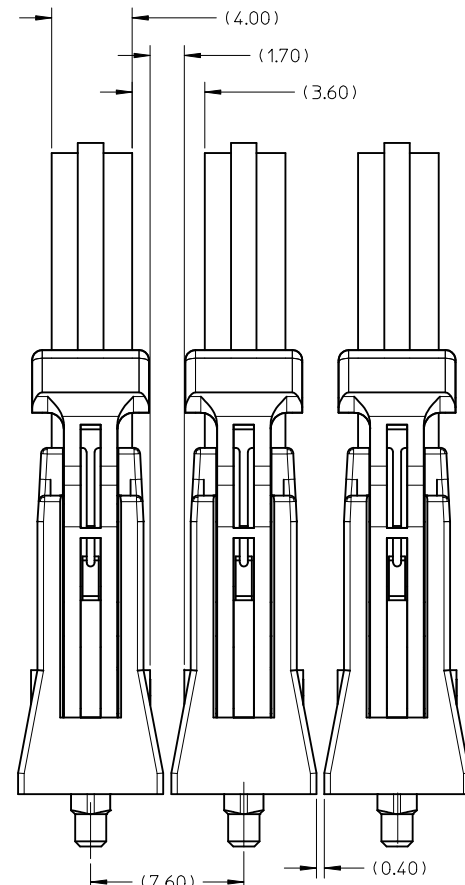
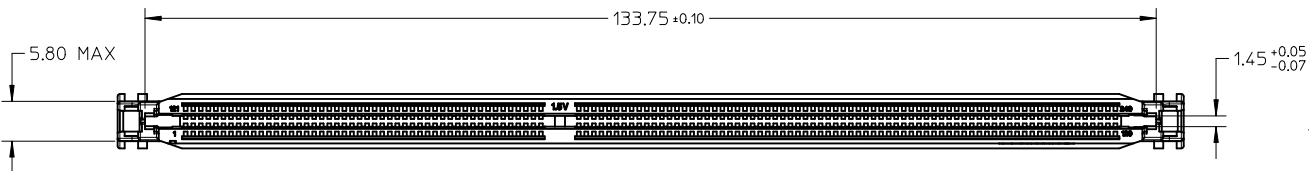
NOTES:

- MATERIAL:
HOUSING - POLYAMIDE (PA) GLASS FILLED, UL 94V-0, COLOR - SEE TABLE
LATCH - POLYAMIDE (PA) GLASS FILLED, UL 04V-0, COLOR - SEE TABLE
TERMINAL - COPPER ALLOY
- FINISHES: TERMINAL PLATING SEE TABLE ON SHEET 5
- PRODUCT SPECIFICATION: PS-78556-001
- PACKAGING SPECIFICATION: PRODUCT SHALL BE PACKED IN TRAYS
- CARD SLOT ACCEPTS 1.27+/-0.10MM MODULE THICKNESS (MEASURED FROM PC PADS)

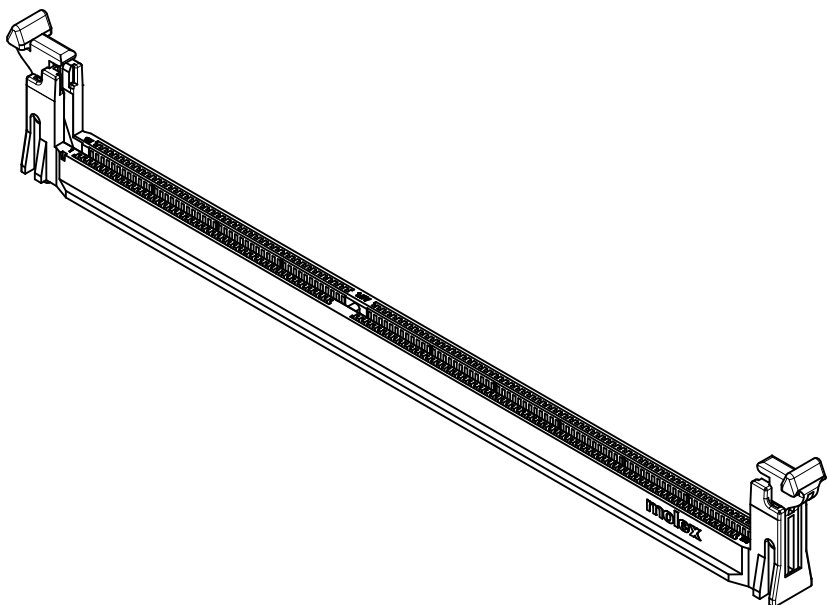
- 6 MOLEX LOGO, DATE & PART NUMBERS INDICATED ON HOUSING
- 7 MODULE SEATING PLANE FROM TOP OF PCB
- 8 KEEP OUT ZONE RESERVED FOR LATCH

INITIAL RELEASED EC NO: S2011-1007 DRWN:CTEH 2011/04/26 CHKD:CGTAN 2011/06/22 APPR:SHLENI 2011/06/29	QUALITY SYMBOLS F _A =0 F _C =0 F _P =0	GENERAL TOLERANCES (UNLESS SPECIFIED)		DIMENSION STYLE	SCALE	DESIGN UNITS	THIRD ANGLE PROJECTION	
		mm	INCH	MM ONLY	NTS	METRIC		
		4 PLACES	± ---	± ---	DRAWN BY	DATE	TITLE	
		3 PLACES	± ---	± ---	CCTEH	2011/04/26	1MM DDR3 LSP ST. LATCH 240CKTS VERT. PF LLLCR	
			2 PLACES	± 0.20	± ---	APPROVED BY	DATE	
			1 PLACE	± ---	± ---	SHLENI	2011/06/29	
			ANGULAR ± 1 °		MATERIAL NO.	DOCUMENT NO.	SHEET NO.	
			DRAFT WHERE APPLICABLE MUST REMAIN WITHIN DIMENSIONS		SEE TABLE	SD-78556-002	1 OF 5	
			SIZE	THIS DRAWING CONTAINS INFORMATION THAT IS PROPRIETARY TO MOLEX INCORPORATED AND SHOULD NOT BE USED WITHOUT WRITTEN PERMISSION				
			A3					

10 9 8 7 6 5 4 3 2 1



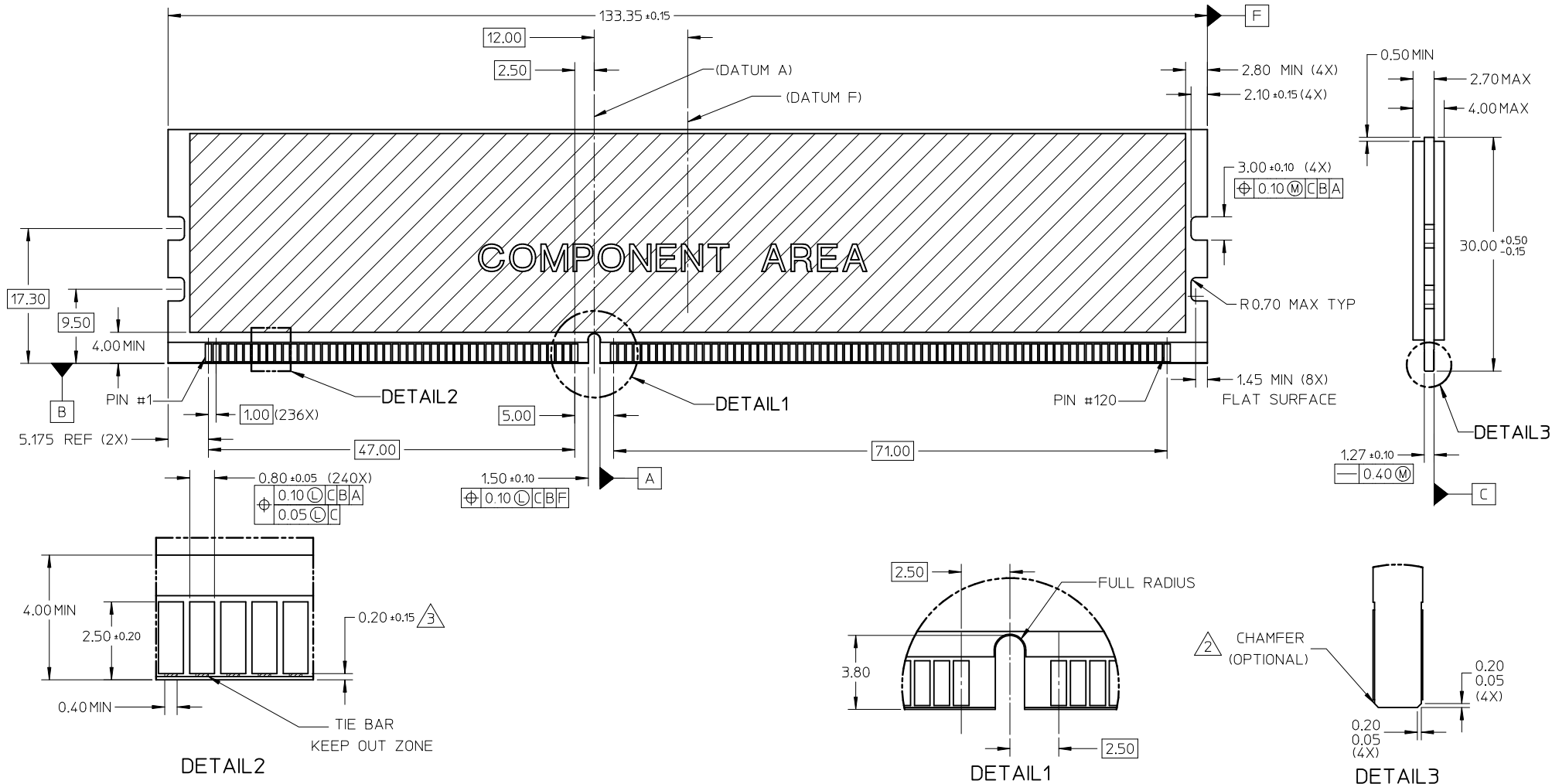
MINIMUM ROW TO ROW SPACING RECOMMENDATION
(USING 4.00MM MODULE CARD)



INITIAL RELEASED EC NO: S2011-1007 DRWN: CTEH 2011/04/26 CHKD: CGTAN 2011/06/22 APPR: SHLENI 2011/06/29	DESCRIPTION REV 1	QUALITY SYMBOLS	GENERAL TOLERANCES (UNLESS SPECIFIED)	DIMENSION STYLE	SCALE	DESIGN UNITS	THIRD ANGLE PROJECTION	
		$\nabla_A = 0$ $\nabla_C = 0$ $\nabla_P = 0$	mm INCH 4 PLACES ± --- ± --- 3 PLACES ± --- ± --- 2 PLACES ± 0.20 ± --- 1 PLACE ± --- ± --- ANGULAR ± 1 °	MM ONLY	NTS	METRIC	DRAWN BY DATE CTEH 2011/04/26 CHECKED BY DATE CGTAN 2011/06/22 APPROVED BY DATE SHLENI 2011/06/29	TITLE 1MM DDR3 LSP ST. LATCH 240CKTS VERT. PF LLLCR
		DRAFT WHERE APPLICABLE MUST REMAIN WITHIN DIMENSIONS	SEE TABLE	MATERIAL NO.	DOCUMENT NO.	SHEET NO.	MOLEX INCORPORATED SD-78556-002 2 OF 5	
			SIZE A3	THIS DRAWING CONTAINS INFORMATION THAT IS PROPRIETARY TO MOLEX INCORPORATED AND SHOULD NOT BE USED WITHOUT WRITTEN PERMISSION				

9 8 7 6 5 4 3 2 1

MODULE CARD
 DDR3 DUAL IN-LINE MEMORY MODULE FAMILY 1.00MM CONTACT CENTERS
 (JEDEC MO-269, ISSUE B, MAY 06)

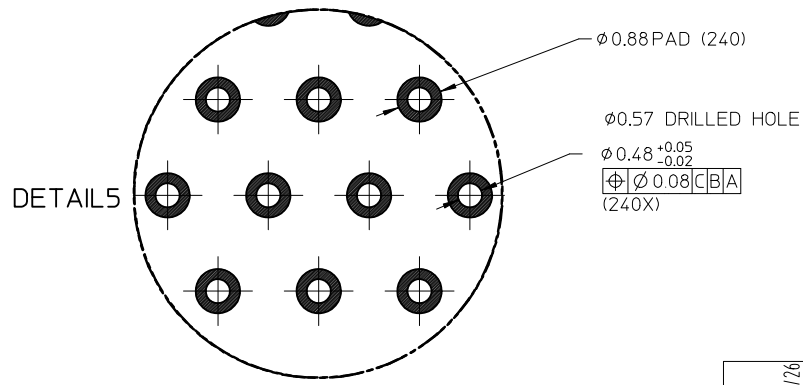
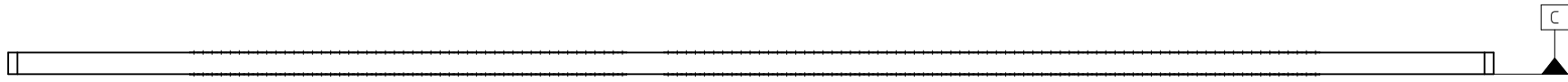
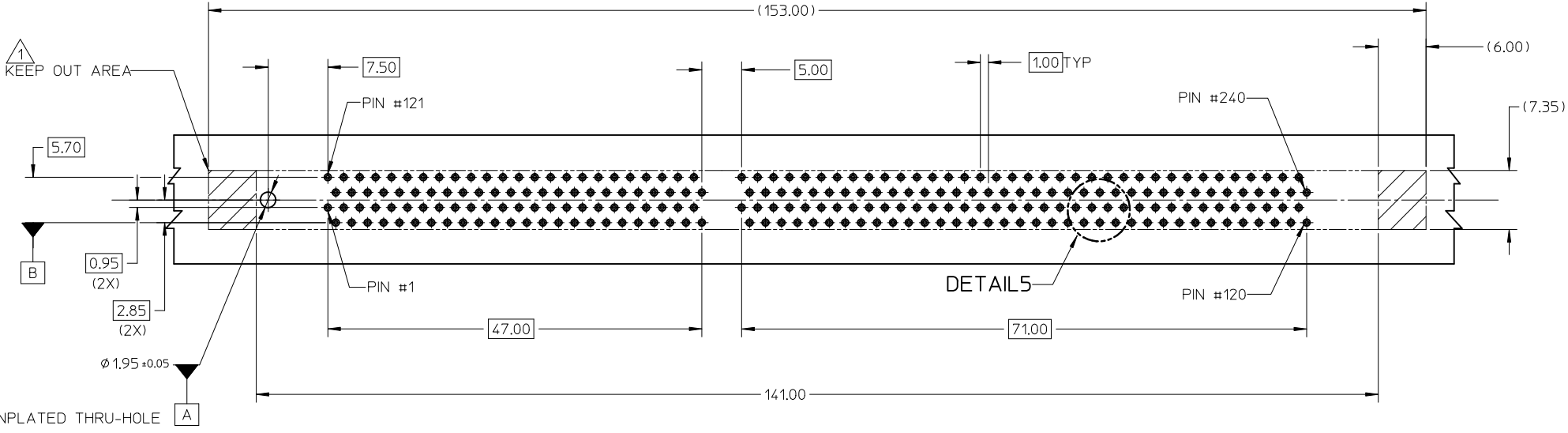


NOTES:

- RECOMMENDED PLATING FOR CONTACT PADS:
 PREFERRED: 0.76 MICROMETERS GOLD PLATING MIN OVER 2.00 MICROMETERS NICKEL
 ALTERNATIVE: 0.05-0.75 MICROMETERS GOLD PLATING OVER 2.00 MICROMETERS NICKEL MUST USE AN ELECTRONIC CONTACT GRADE CORROSIVE BARRIER LUBRICANT
- CHAMFER IS OPTIONAL AND IS NOT TO HIT THE GOLD PADS
- LEADING EDGE OF GOLD PADS SPECIFIED BY KEEPOUT ZONE SHALL BE FREE OF BURRS AND EXTERNAL TIE BARS.

INITIAL RELEASED EC NO: S2011-1007 DRW: CCTEH 2011/04/26 CHKD: CGTAN 2011/06/22 APPR: SHLENI 2011/06/29	DESCRIPTION REV	QUALITY SYMBOLS	GENERAL TOLERANCES (UNLESS SPECIFIED)	DIMENSION STYLE	SCALE	DESIGN UNITS	THIRD ANGLE PROJECTION															
		$F_A = 0$ $F_G = 0$ $F_P = 0$	<table border="1"> <thead> <tr> <th></th> <th>mm</th> <th>INCH</th> </tr> </thead> <tbody> <tr> <td>4 PLACES</td> <td>± ---</td> <td>± ---</td> </tr> <tr> <td>3 PLACES</td> <td>± ---</td> <td>± ---</td> </tr> <tr> <td>2 PLACES</td> <td>± 0.20</td> <td>± ---</td> </tr> <tr> <td>1 PLACE</td> <td>± ---</td> <td>± ---</td> </tr> </tbody> </table>		mm	INCH	4 PLACES	± ---	± ---	3 PLACES	± ---	± ---	2 PLACES	± 0.20	± ---	1 PLACE	± ---	± ---	MM ONLY	NTS	METRIC	<input checked="" type="checkbox"/> THIRD ANGLE <input type="checkbox"/> FIRST ANGLE
			mm	INCH																		
		4 PLACES	± ---	± ---																		
3 PLACES	± ---	± ---																				
2 PLACES	± 0.20	± ---																				
1 PLACE	± ---	± ---																				
	<table border="1"> <thead> <tr> <th>DRAWN BY</th> <th>DATE</th> <th>TITLE</th> </tr> </thead> <tbody> <tr> <td>CCTEH</td> <td>2011/04/26</td> <td rowspan="3">1MM DDR3 LSP ST. LATCH 240CKTS VERT. PF LLLCR</td> </tr> <tr> <td>CGTAN</td> <td>2011/06/22</td> </tr> <tr> <td>SHLENI</td> <td>2011/06/29</td> </tr> </tbody> </table>	DRAWN BY	DATE	TITLE	CCTEH	2011/04/26	1MM DDR3 LSP ST. LATCH 240CKTS VERT. PF LLLCR	CGTAN	2011/06/22	SHLENI	2011/06/29			MOLEX INCORPORATED								
DRAWN BY	DATE	TITLE																				
CCTEH	2011/04/26	1MM DDR3 LSP ST. LATCH 240CKTS VERT. PF LLLCR																				
CGTAN	2011/06/22																					
SHLENI	2011/06/29																					
	DRAFT WHERE APPLICABLE MUST REMAIN WITHIN DIMENSIONS	MATERIAL NO. SEE TABLE	DOCUMENT NO. SD-78556-002	SHEET NO. 3 OF 5																		

10 9 8 7 6 5 4 3 2 1



CUTAWAY1

NOTES:
 1. KEEP-OUT AREA IS THE AREA WHERE THE CONNECTOR (INCLUDING LATCH) IS MOUNTED ON THE PCB

INITIAL RELEASED EC NO: S2011-1007 DRWN: CTEH 2011/04/26 CHKD: CGTAN 2011/06/22 APPR: SHLENI 2011/06/29	DESCRIPTION QUALITY SYMBOLS $F_A=0$ $F_C=0$ $F_P=0$	GENERAL TOLERANCES (UNLESS SPECIFIED)		DIMENSION STYLE	SCALE	DESIGN UNITS	THIRD ANGLE PROJECTION	
				MM ONLY	NTS	METRIC		
				DRAWN BY	DATE	TITLE		
		4 PLACES	\pm ---	CTEH	2011/04/26	1MM DDR3 LSP ST. LATCH 240CKTS VERT. PF LLLCR		
3 PLACES	\pm ---	CHECKED BY	DATE	MOLEX INCORPORATED				
2 PLACES	± 0.20	CGTAN	2011/06/22					
1 PLACE	\pm ---	APPROVED BY	DATE	DOCUMENT NO. SD-78556-002				
		SHLENI	2011/06/29					
ANGULAR $\pm 1^\circ$		MATERIAL NO.		SHEET NO.				
DRAFT WHERE APPLICABLE MUST REMAIN WITHIN DIMENSIONS		SEE TABLE		4 OF 5				
1		SIZE	THIS DRAWING CONTAINS INFORMATION THAT IS PROPRIETARY TO MOLEX INCORPORATED AND SHOULD NOT BE USED WITHOUT WRITTEN PERMISSION					
		A3						

9 8 7 6 5 4 3 2 1

PART NO.	KEY POS.	RECOMMENDED PCB THICKNESS	PLATING OPTION		LATCH COLOUR	HOUSING COLOUR
			CONTACT AREA	TAIL AREA		
78556-5001	CENTER (1.5V)	3.00	0.76 MICROMETER/ 30 MICROINCH MIN. GOLD OVER 1.27 MICROMETER/ 50 MICROINCH MIN. NICKEL UNDERPLATE	0.38 TO 1.52 MICROMETER/15 TO 60 MICROINCH MIN TIN (MATT) OVER 1.27 MICROMETER/ 50 MICROINCH MIN. NICKEL UNDERPLATE	BLACK	BLACK
78556-5051					BLUE	BLUE
78556-5061					NATURAL	NATURAL

INITIAL RELEASED EC NO: S2011-1007 DRWN: CCTEH 2011/04/26 CHKD: CGTAN 2011/06/22 APPR: SHLENI 2011/06/29	DESCRIPTION REV 1	QUALITY SYMBOLS	GENERAL TOLERANCES (UNLESS SPECIFIED)	DIMENSION STYLE	SCALE	DESIGN UNITS	THIRD ANGLE PROJECTION		
		$\nabla_A = 0$ $\nabla_C = 0$ $\nabla_P = 0$	mm INCH 4 PLACES ± --- ± --- 3 PLACES ± --- ± --- 2 PLACES ± 0.20 ± --- 1 PLACE ± --- ± --- ANGULAR ± 1°	MM ONLY	NTS	METRIC	DRAWN BY: CCTEH DATE: 2011/04/26 CHECKED BY: CGTAN DATE: 2011/06/22 APPROVED BY: SHLENI DATE: 2011/06/29	TITLE	1MM DDR3 LSP ST. LATCH 240CKTS VERT. PF LLLCR
		DRAFT WHERE APPLICABLE MUST REMAIN WITHIN DIMENSIONS		SEE TABLE	MOLEX INCORPORATED MATERIAL NO. DOCUMENT NO.		MOLEX INCORPORATED SD-78556-002		SHEET NO.
				SIZE A3	THIS DRAWING CONTAINS INFORMATION THAT IS PROPRIETARY TO MOLEX INCORPORATED AND SHOULD NOT BE USED WITHOUT WRITTEN PERMISSION				