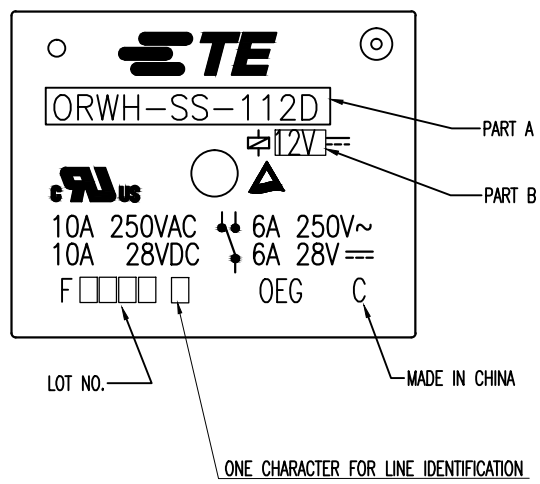


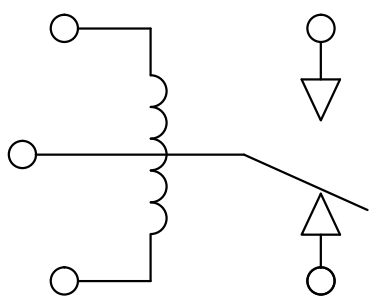
THIS DRAWING IS UNPUBLISHED. RELEASED FOR PUBLICATION
 © COPYRIGHT - By TE CONNECTIVITY ALL RIGHTS RESERVED.

LOC	DIST	REVISIONS					
HB	-	P	LTR	DESCRIPTION	DATE	DWN	APVD
		A		RELEASE	20-Sep-15	BLL	CM.C

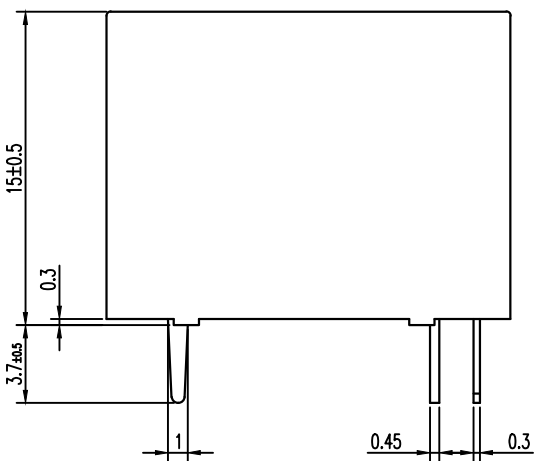
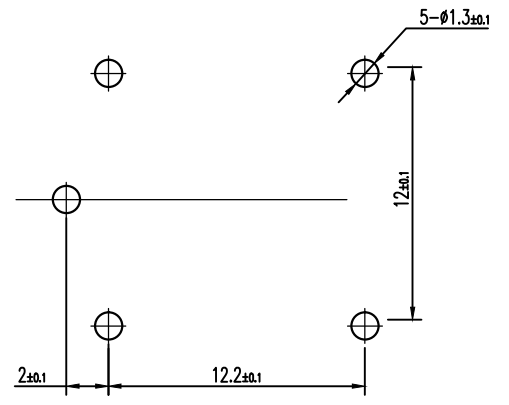
PART NO	EC TYPE NAME	PART B	PART A	ITEM
1461067-1	ORWH-SS-112D,N000	12V	ORWH-SS-112D	A
1461067-5	ORWH-SS-109D,N000	9V	ORWH-SS-109D	B
1461067-7	ORWH-SS-124D,N000	24V	ORWH-SS-124D	C



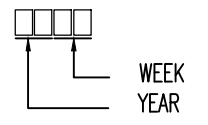
CIRCUIT DIAGRAM (BOTTOM VIEW)



DRILLING DIAGRAM (BOTTOM VIEW)



NOTE
 ①.LOT NO. SYSTEM AS FOLLOWING:



- 2.TERMINAL DIMENSION IS NOT INCLUDING SOLDER TIP.
- 3.FOR THE TIP-PLATING OF THE PINS
 +0.1mm FOR WIDTH,THICKNESS AND DIAMETER.
 +0.5mm FOR LENGTH.

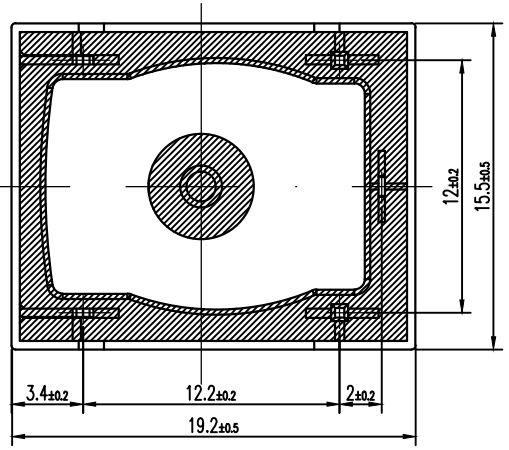


Diagram dimension	Tolerance
0.99mm max.	±0.1mm
1 - 2.99mm	±0.2mm
3mm min.	±0.3mm

THIS DRAWING IS A CONTROLLED DOCUMENT.		DWN	FU BO
DIMENSIONS: mm		CHK	XN.ZHANG
TOLERANCES UNLESS OTHERWISE SPECIFIED:		APVD	CH.HSU
0 PLC	± -	PRODUCT SPEC	-
1 PLC	± -	APPLICATION SPEC	-
2 PLC	± -	WEIGHT	-
3 PLC	± -	CUSTOMER DRAWING	-
4 PLC	± -		
ANGLES	± -		
FINISH	-		
MATERIAL	-		

UL94 V-0	UV RESIN	UV SEAL	ITEM	
	EPOXY RESIN	SEAL	14	
	MW79	MAGNETIC WIRE	12	
	HCP	COIL TERMINAL	11	
UL94 V-0	PBT	BOBBIN	10	
UL94 V-0	PBT	CASE	9	
	Ag ALLOY	STATIONARY CONTACT	8	
	Ag ALLOY	MOVABLE CONTACT	7	
	Cu ALLOY	MOVABLE SPRING	6	
	Cu ALLOY	NC TERMINAL	5	
	Cu ALLOY	NO TERMINAL	4	
	Ni PLATED STEEL	CORE	3	
	Cu PLATED STEEL	ARMATURE FORM C	2	
	Ni PLATED STEEL	YOKE	1	
INCOMBUSTIBILITY	TREATMENT	MATERIAL	DESCRIPTION	ITEM

STE TE Connectivity

ORWH-SS-D CUSTOMER DRAWING

NAME: CH.HSU

SIZE: A3 CAGE CODE: 00779 DRAWING NO: C=1461067 RESTRICTED TO: -

SCALE: 3:1 SHEET: 1 of 1 REV: A