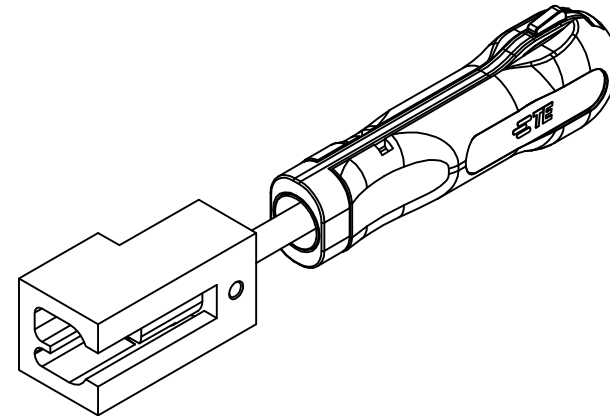
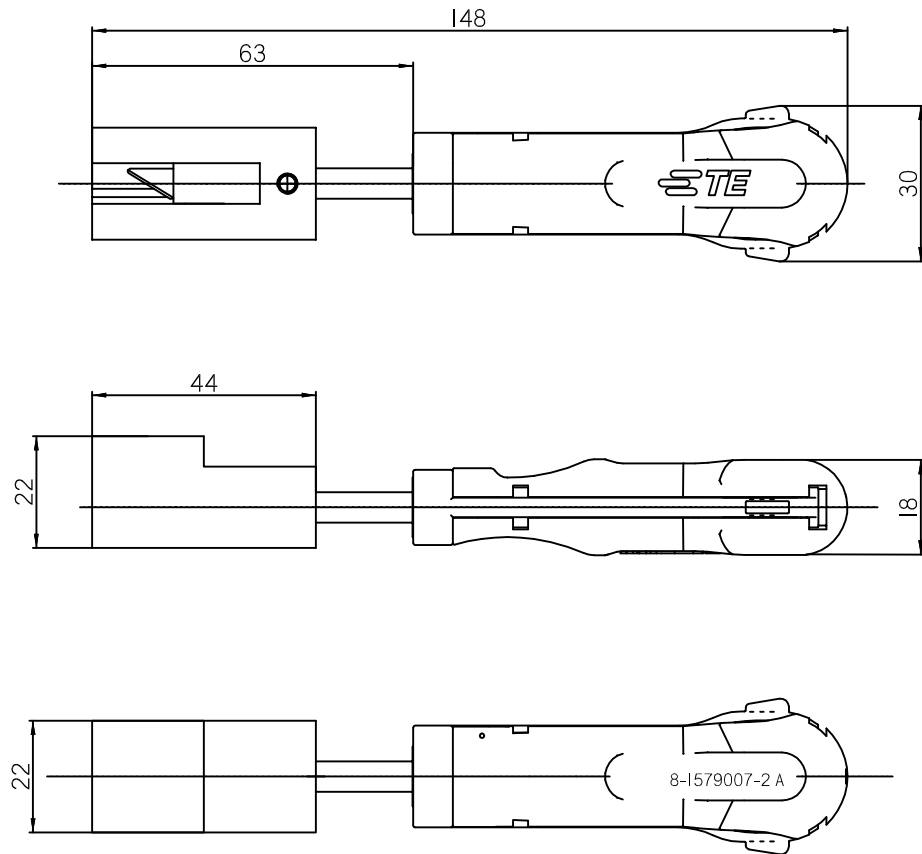


THIS DRAWING IS UNPUBLISHED. RELEASED FOR PUBLICATION
 © COPYRIGHT - BY TYCO ELECTRONICS CORPORATION. ALL INTERNATIONAL RIGHTS RESERVED.

LOC		DIST		REVISIONS			
P	LTR	DESCRIPTION		DATE	DWN	APVD	
	A2	ECR-12-005542		23MAR12	LS	GS	



APPLICATION RANGE / Anwendungsbereich :

CONTACT MQS: 962886, 965908
 HOUSING 2 Pos. MQS: 967079, 963658

THIS DRAWING IS A CONTROLLED DOCUMENT.		DWN S. Samstag	23JUN08	STE TE Connectivity
		CHK G. Stegmayer	23JUN08	
		APVD G. Stegmayer	23JUN08	NAME
DIMENSIONS: mm		TOLERANCES UNLESS OTHERWISE SPECIFIED:		LOCKING TOOL, CLOSING SECONDARY LOCK, MQS 2POS.
		0 PLC ± -	1 PLC ± -	
		2 PLC ± -	3 PLC ± -	SIZE
		4 PLC ± -	ANGLES ± -	CAGE CODE
MATERIAL		FINISH	WEIGHT	DRAWING NO
			0,081kg	A3 00779
		CUSTOMER DRAWING		RESTRICTED TO
				SCALE 1:1
				SHEET 1 of 1
				REV A2