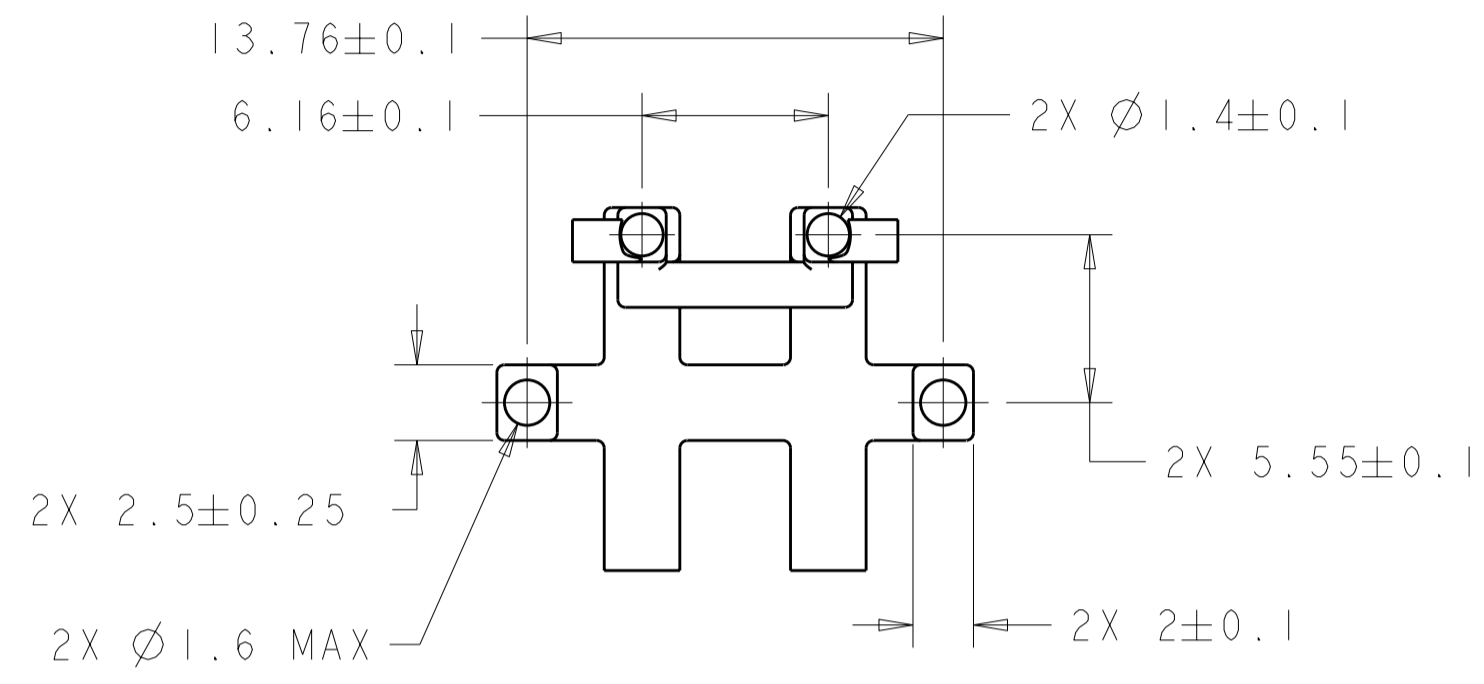
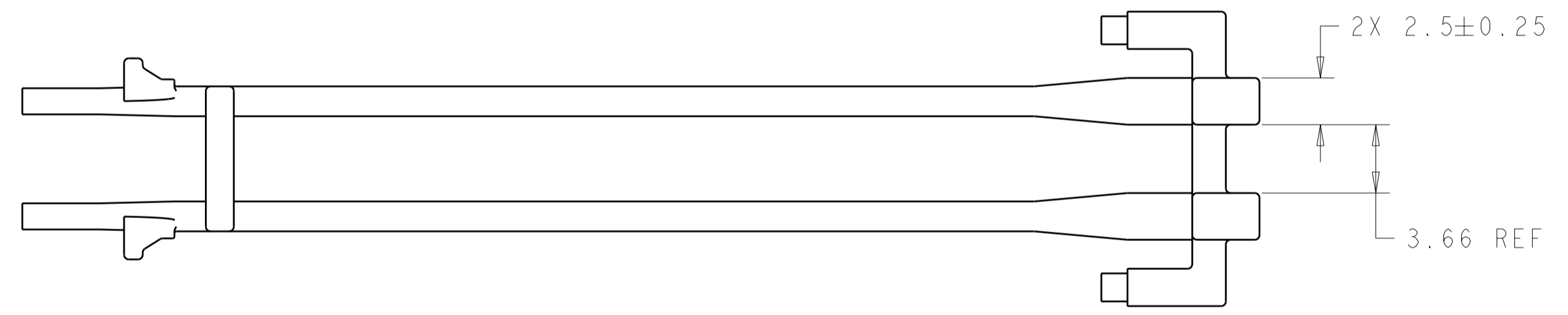


THIS DRAWING IS UNPUBLISHED. RELEASED FOR PUBLICATION 2007
 © COPYRIGHT 2007 BY TYCO ELECTRONICS CORPORATION. ALL RIGHTS RESERVED.

LOC	DIST	REVISIONS					
GP	00	P	LTR	DESCRIPTION	DATE	DWN	APVD
		A		RELEASED PER ECO-09-008578	21APR2009	CJV	JRP



⚠ MATERIAL: POLYCARBONATE, CLEAR



6.00	55.5	2007477-7
6.00	56.3	2007477-3
5.55	55.5	2007477-2
5.55	59.2	2007477-1
B	A	PART NUMBER

THIS DRAWING IS A CONTROLLED DOCUMENT FOR TYCO ELECTRONICS CORPORATION. IT IS SUBJECT TO CHANGE AND THE CONTROLLING ENGINEERING ORGANIZATION SHOULD BE CONTACTED FOR THE LATEST REVISION.		DWN C. VALENTINE 26NOV2007	Tyco Electronics Harrisburg, PA 17105-3608	
DIMENSIONS: mm		CHK E. BRIGHT 26NOV2007	NAME LIGHT PIPE, DOUBLE, BEHIND BEZEL, GANGED QSFP	
TOLERANCES UNLESS OTHERWISE SPECIFIED: 0 PLC ± 1 PLC ±0.5 2 PLC ±0.13 3 PLC ±0.013 4 PLC ±0.0001 ANGLES ± FINISH		APVD E. BRIGHT 26NOV2007	RESTRICTED TO	
MATERIAL		PRODUCT SPEC	SIZE	CAGE CODE
⚠		APPLICATION SPEC	A200779	C=2007477
		WEIGHT	SCALE 4:1	
		CUSTOMER DRAWING	SHEET OF REV A	