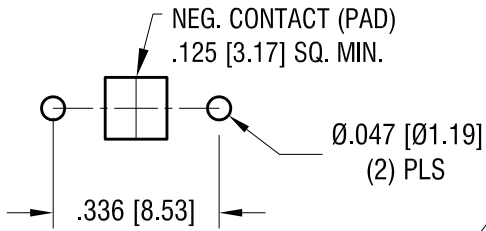
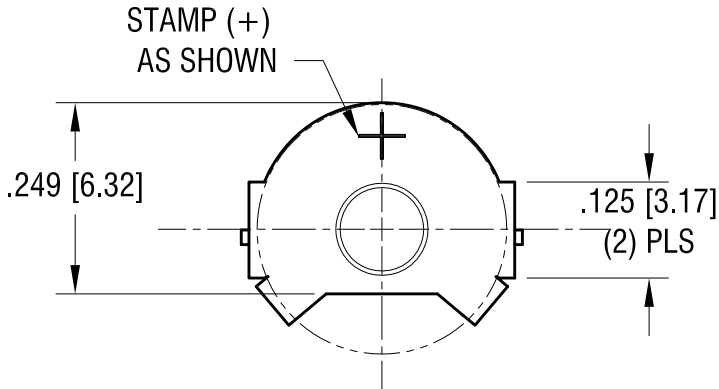
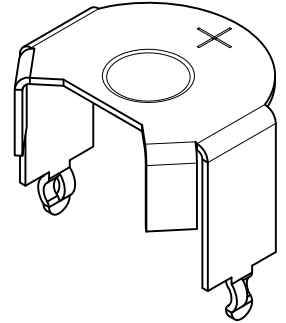


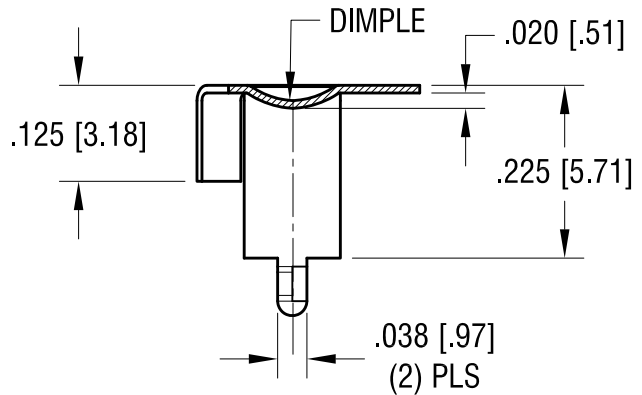
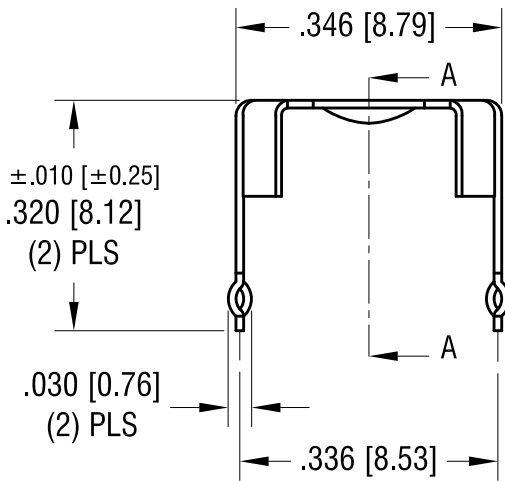
MOUNTING PAD LAYOUT



THIS DOCUMENT IS THE PROPERTY OF KEYSTONE ELECTRONICS CORP. AND SHALL NOT BE REPRODUCED, DISTRIBUTED OR USED AS A BASIS FOR MANUFACTURE WITHOUT PRIOR WRITTEN PERMISSION FROM KEYSTONE ELECTRONICS CORP.



SECTION A-A



| | | |
|---------|--------------------------|------|
| 7.18.12 | CHANGE AS PER ECN 12-086 | A |
| DATE | DESCRIPTION | REV. |

| | | |
|---|-----------------|-------------|
| KEYSTONE ELECTRONICS CORP. | | |
| www.keyelco.com • ASTORIA, N.Y. 11105-2017 • Tel (718) 956-8900 | | |
| PART NAME | | |
| THM HEARING AID BATTERY RETAINER (SIZE 13) | | |
| MATERIAL | | |
| .010 [0.25] TH'K PHOSPHOR BRONZE | | |
| FINISH | | DRN BY |
| TIN NICKEL PLATE | | NT |
| | | DATE |
| | | 5.04.11 |
| | | APP'D |
| | | LN |
| | | SCALE |
| | | 4X |
| TOLERANCES | INCH [MM] | CODE |
| DECIMAL | ± .005 [± 0.13] | DWG NO. |
| ANGULAR | ± 1° | |
| UNLESS OTHERWISE SPECIFIED | | |
| C | | 2989 |