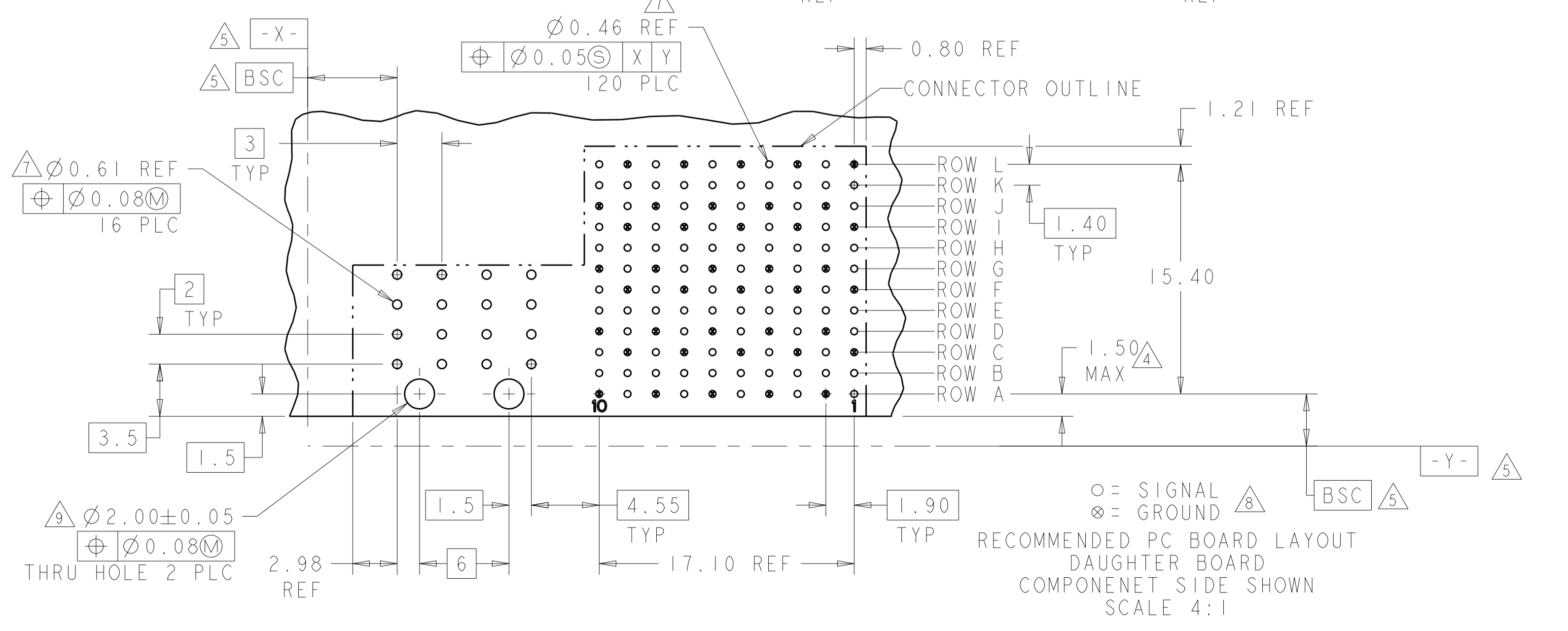
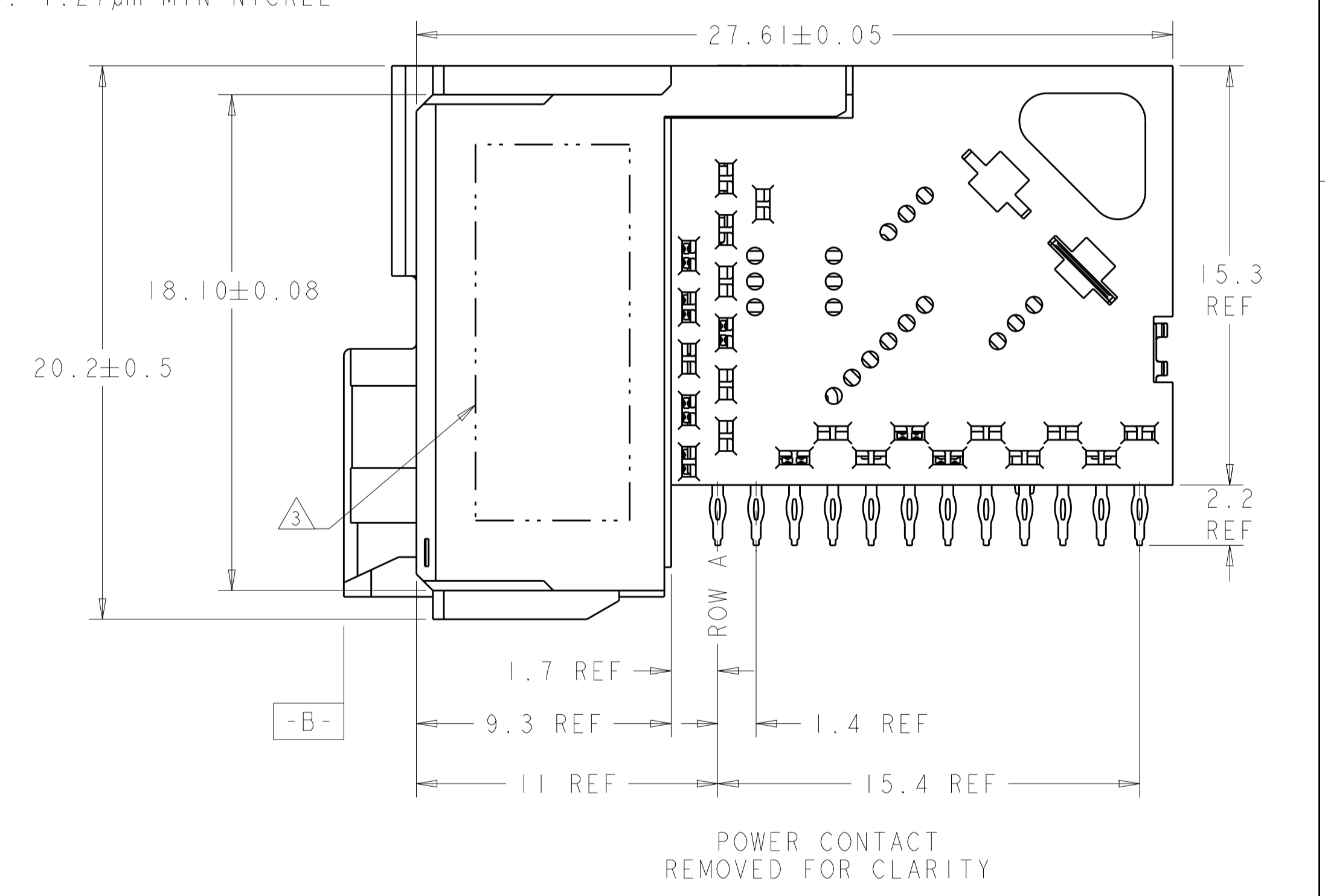
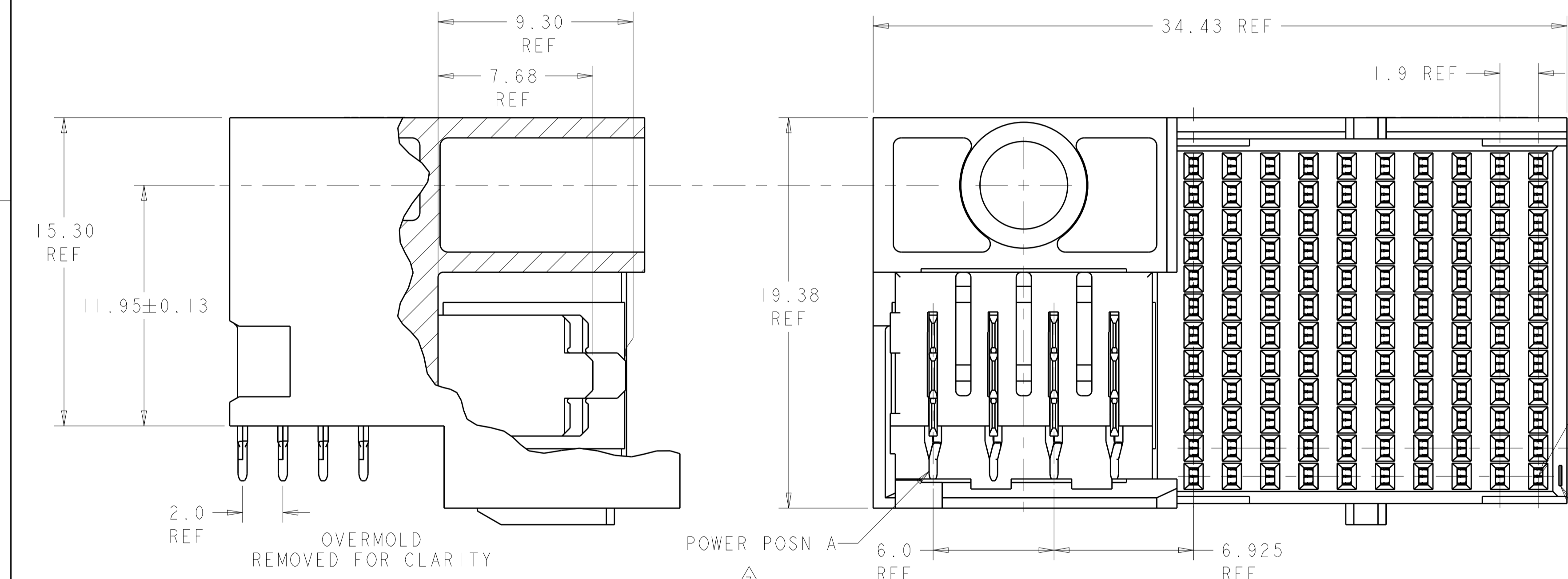
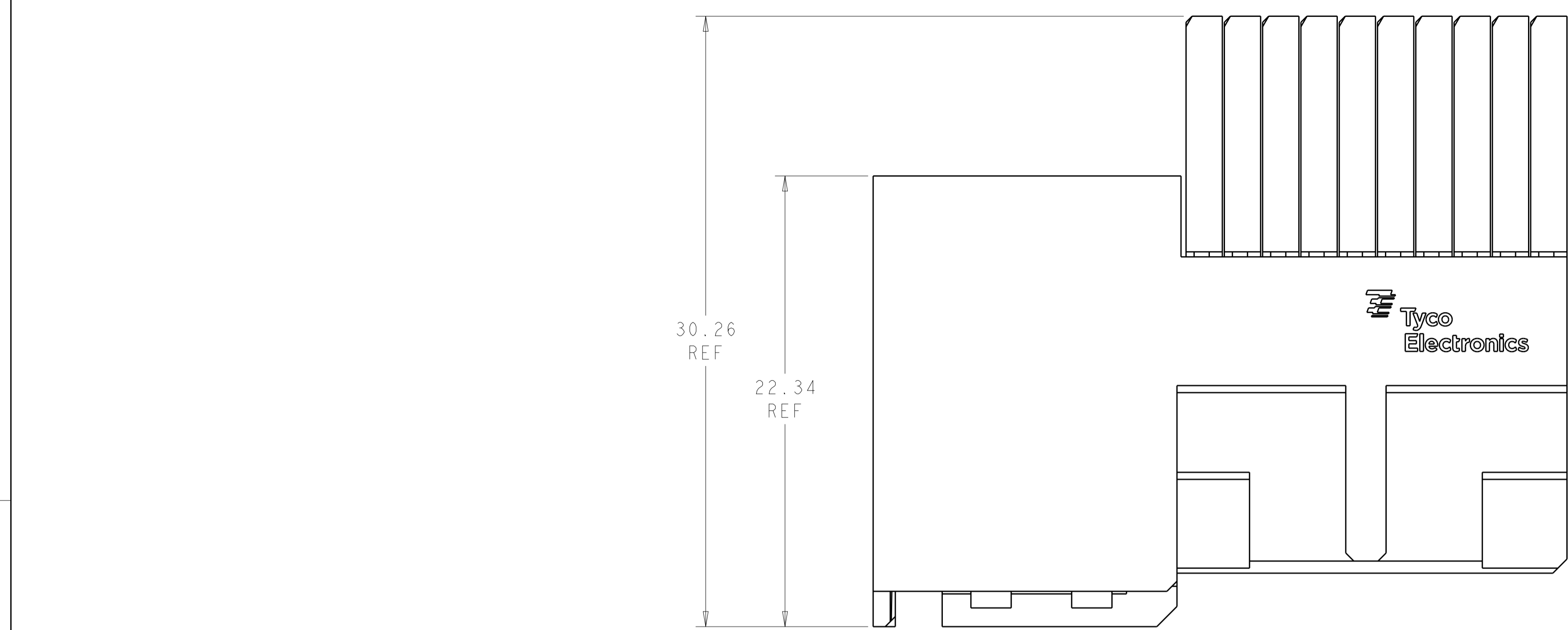


LOC		DIST		REVISIONS			
P	LTN	DESCRIPTION	DATE	DMN	APVD		
D		REV PER ECO-12-002769	13FEB2012	WS	RP		
E		REV PER ECO-12-018914	21NOV2012	WS	RP		
F		REV PER ECO-12-020324	15JAN2013	WS	RP		



- 1 MATERIAL:
 CONTACT AND SHIELD - PHOS BRONZE
 HOUSING AND CHICKLET - LCP, UL 94V-0,
 COLOR - BLACK
- 2 FINISH:
 SIGNAL CONTACT: MATING AREA - 0.76µm MIN GOLD OVER 1.27µm MIN NICKEL
 COMPLIANT PIN AREA - 0.5µm BRIGHT TIN-LEAD OVER 1.27µm MIN NICKEL
 POWER CONTACT: MATING AREA - 0.08µm MIN GOLD OVER 0.7µm PALADIUM NICKEL
 COMPLIANT PIN AREA: 0.5µm MIN TIN LEAD, ALL OVER 1.27µm MIN NICKEL
 SHIELD: 1.27µm MIN NICKEL
- 3 CONNECTOR MARKED ON EITHER SIDE OF HOUSING WITH PART NUMBER,
 DATE CODE AND STANDARD IN APPROXIMATE AREA SHOWN.
- 4 DIMENSION APPLIES TO CENTERLINE OF THRU HOLE.
- 5 DATUMS AND BASIC DIMENSIONS ESTABLISHED BY CUSTOMER.
- 6. CONTACT AREA LUBRICATED WITH BELLCORE APPROVED LUBRICANT.
 TECHNICAL REFERENCE: GR-1217-CORE, ISSUE 1, NOVEMBER 1995.
- 7 REFERENCE APPLICATION SPEC 114-13202 AND 114-1103 FOR RECOMMENDED PLATED
 THRU HOLE DIAMETER AND PLATING THICKNESSES.
- 8 THE GROUNDS IN EACH COLUMN ARE COMMONED.
- 9 HOLES ARE FOR USE IN SPECIAL APPLICATIONS USING DESCRETE COMPONENTS.
- 10 FINISH:
 SIGNAL CONTACT: MATING AREA - 0.76µm MIN GOLD OVER 1.27µm MIN NICKEL
 COMPLIANT PIN AREA - 0.5µm MATTE TIN OVER 1.27µm MIN NICKEL
 POWER CONTACT: MATING AREA - 0.08µm MIN GOLD OVER 0.7µm MIN PALLADIUM-NICKEL
 COMPLIANT PIN AREA: 0.5µm MIN MATTE TIN, ALL OVER 1.27µm MIN NICKEL
 SHIELD: 1.27µm MIN NICKEL
- 11 FINISH:
 SIGNAL CONTACT: MATING AREA - 0.076µm MIN GOLD OVER 0.68 MIN PALADIUM - NICKEL
 COMPLIANT PIN AREA - 0.5µm MATTE TIN OVER 1.27µm MIN NICKEL
 POWER CONTACT: MATING AREA - 0.08µm MIN GOLD OVER 0.7µm MIN PALLADIUM-NICKEL
 COMPLIANT PIN AREA: 0.5µm MIN MATTE TIN, ALL OVER 1.27µm MIN NICKEL
 SHIELD: 1.27µm MIN NICKEL

11	B & D	A & C	2065698-3
10	B & D	A & C	2065698-2
2	B & D	A & C	2065698-1
FINISH	POSITIONS LOADED WITH 9.3 REF CONTACTS	POSITIONS LOADED WITH 7.68 REF CONTACTS	PART NUMBER

THIS DRAWING IS A CONTROLLED DOCUMENT.

DMN: B. CARBO 27APR2009
 CHK: R. PATTERSON 27APR2009
 APVD: R. PATTERSON 27APR2009

TE Connectivity

RECEPTACLE ASSEMBLY,
 4 PAIR, 10 COLUMN,
 WITH POWER

SIZE: A1 CAGE CODE: 2065698 DRAWING NO: 2065698 SHEET 1 OF 1 REV F