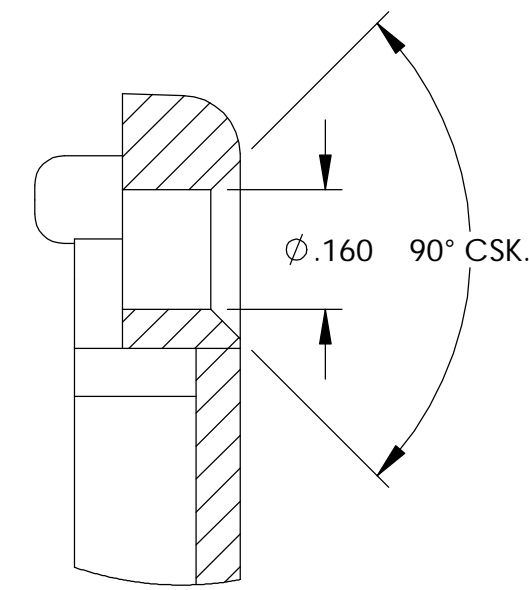


THE INFORMATION CONTAINED IN THIS DRAWING IS THE SOLE PROPERTY OF BUD INDUSTRIES INC. ANY REPRODUCTION IN PART OR WHOLE WITHOUT THE WRITTEN PERMISSION OF BUD INDUSTRIES INC. IS PROHIBITED.

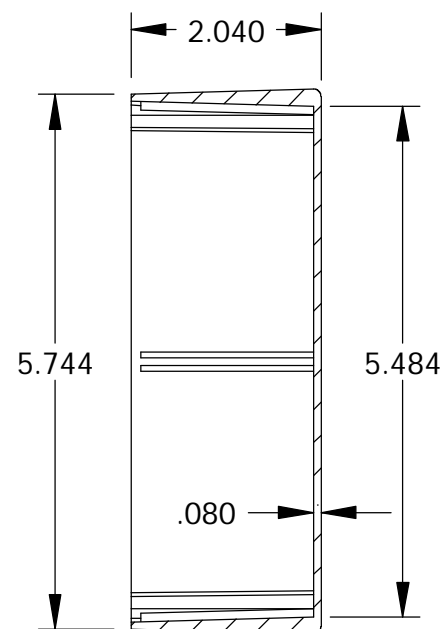
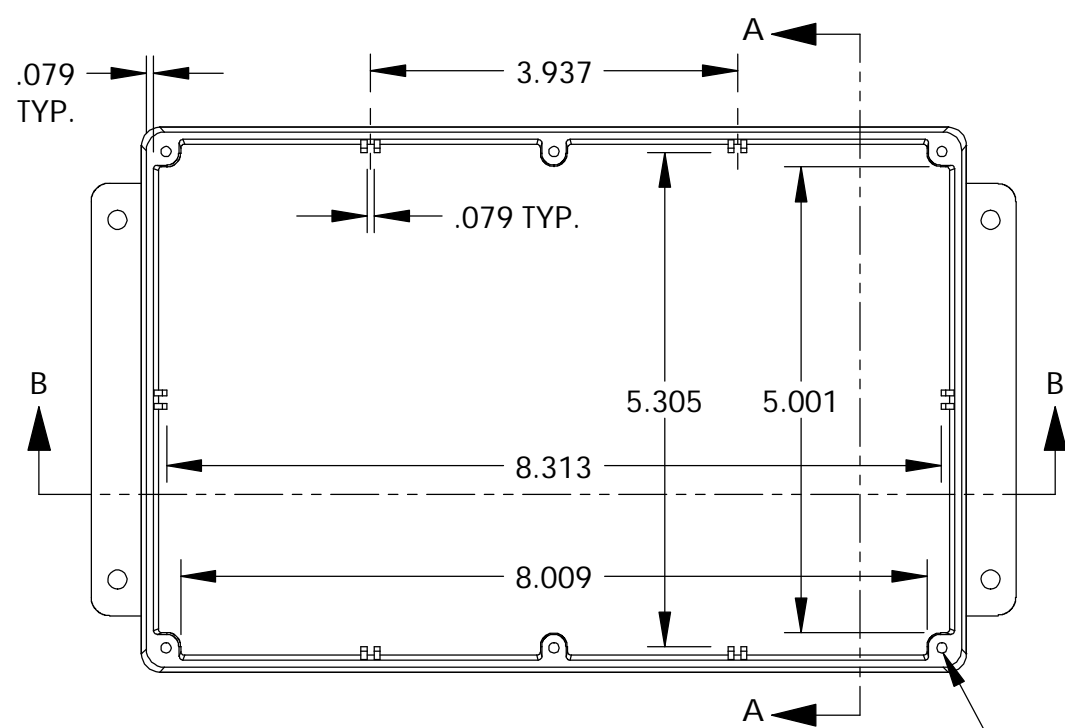
DWG. NO.	CN-6711
ISSUE	REVISIONS

MATERIAL - ALUMINUM ALLOY #ADC-12  
 FINISH - NATURAL (CONTACT BUD FACTORY FOR ALTERNATE FINISHES)  
 GASKET - RATED IP65 NEOPRENE, SELF-ADHESIVE, 3mm THICK, COLOR BLACK  
 SCREWS - STAINLESS STEEL, M3.5 x 12mm LG., CSK. HEAD, SELF-THREADING

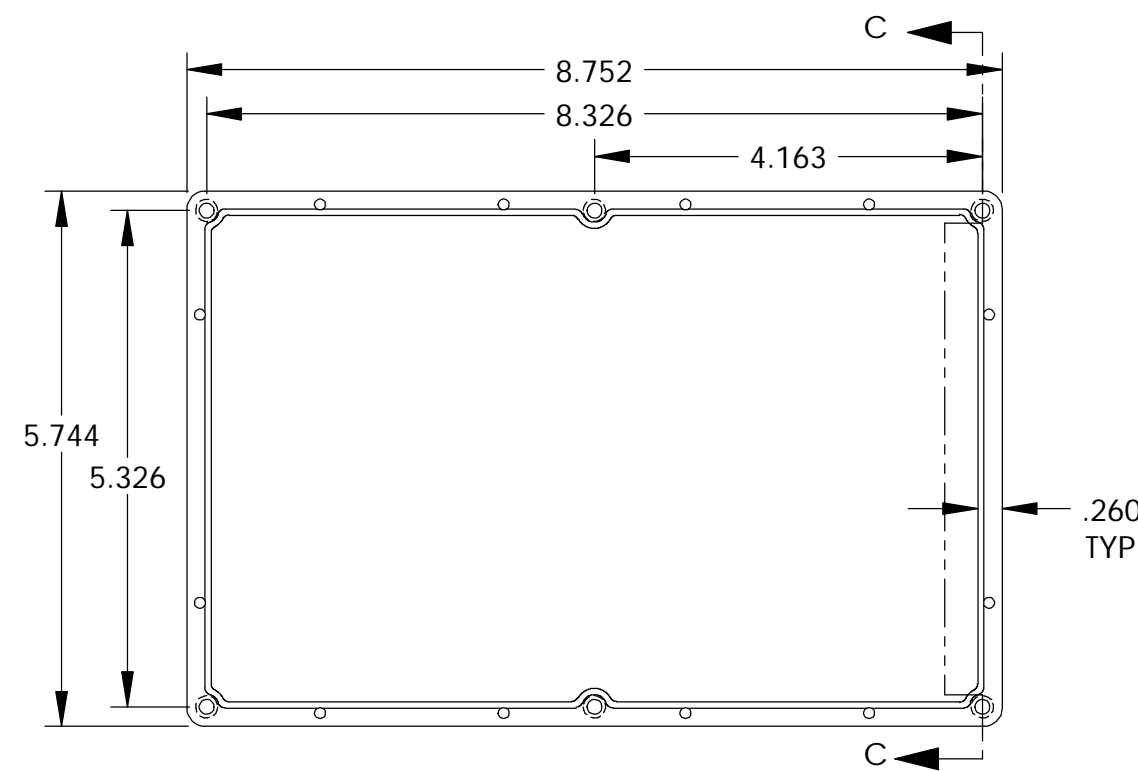
ALL HOLE DIAMETERS HAVE ±.005 TOLERANCE.  
 ALL OTHER DIMENSIONS HAVE ±.015 TOLERANCE.  
 ENCLOSURES ARE SHIPPED UNASSEMBLED WITH ALL ITEMS SHOWN.



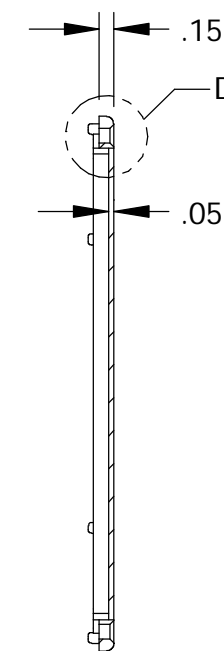
DETAIL D  
SCALE 4 : 1



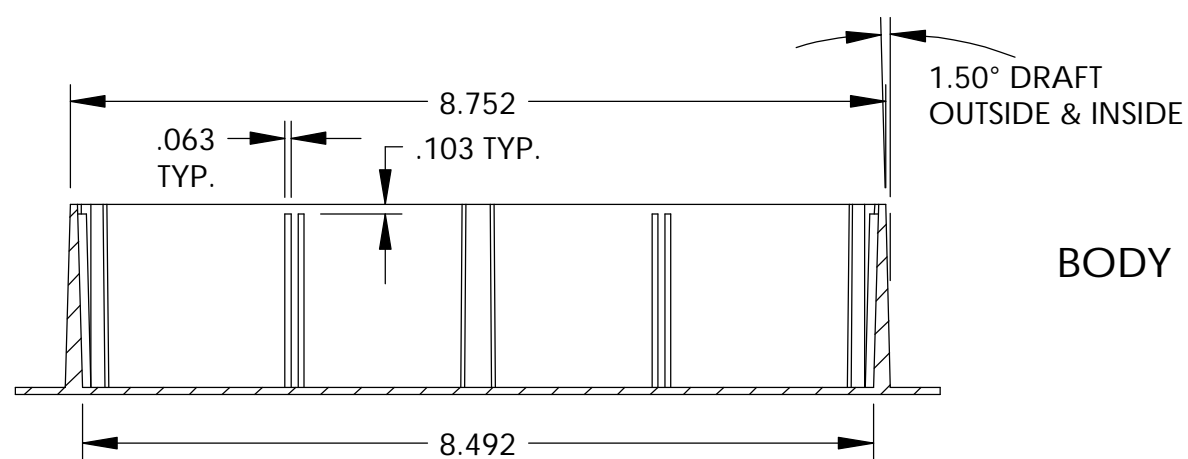
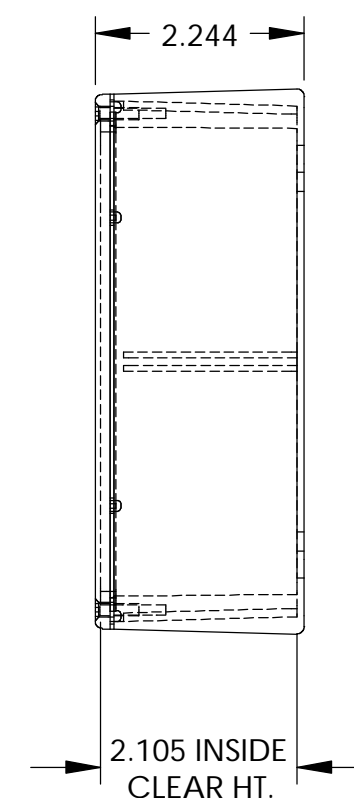
SECTION A-A



COVER

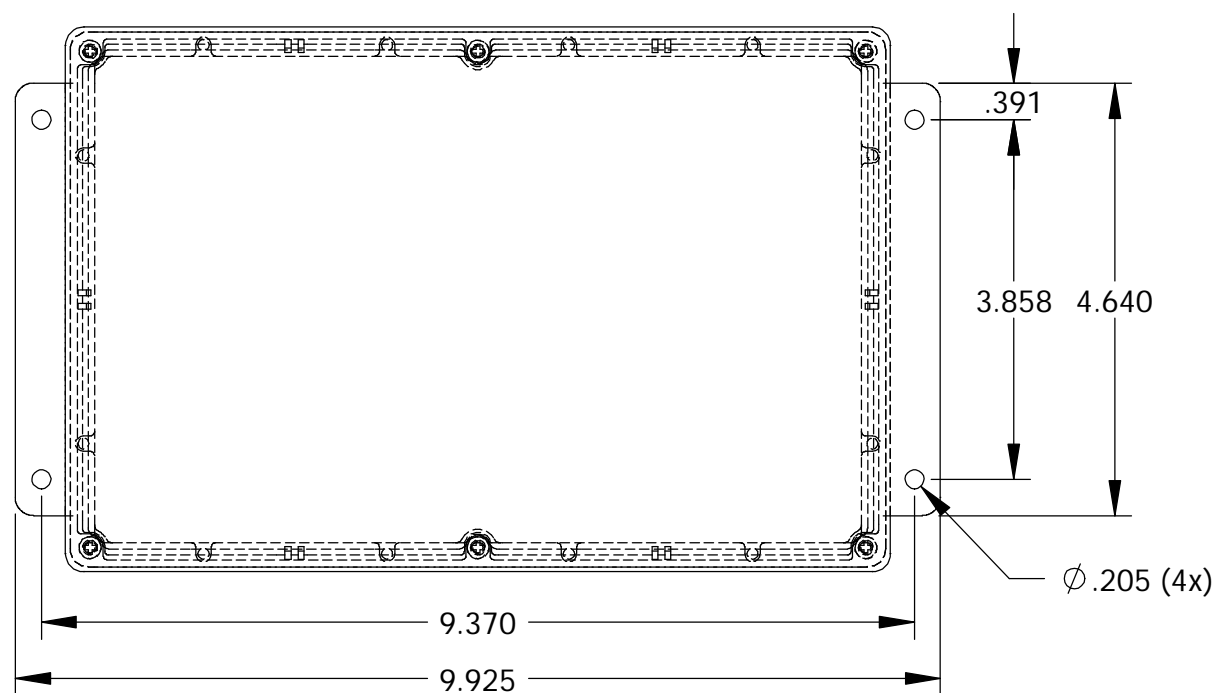
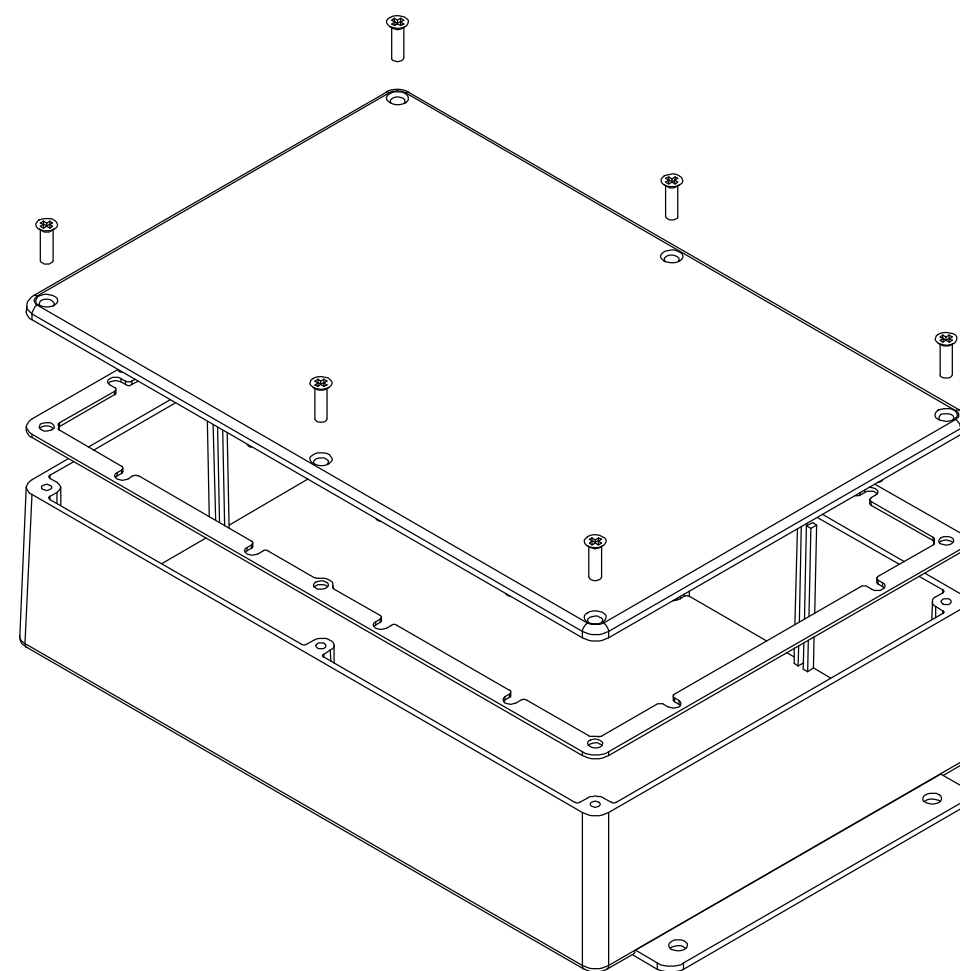


SECTION C-C



SECTION B-B

BODY



PARTS LIST		BUD INDUSTRIES INC.	
+/- .005 BETWEEN HOLE CENTERS +/- .015 FROM SHEARED EDGE +/- .032 FROM A BENT SURFACE +/- .062 BETWEEN ASSEMBLED SURFACES UNLESS OTHERWISE SPECIFIED		CAD GENERATED DRAWING. DO NOT MANUALLY UPDATE	
MATERIAL AS NOTED		APPROVALS DRAWN DAB	DATE 4-3-06
FINISH AS NOTED		CHECKED	APPROVED
QTY.	USED ON	SCALE	REV.
	DO NOT SCALE DRAWING		
DWG. NO. CN-6711		SHEET 1 OF 1	