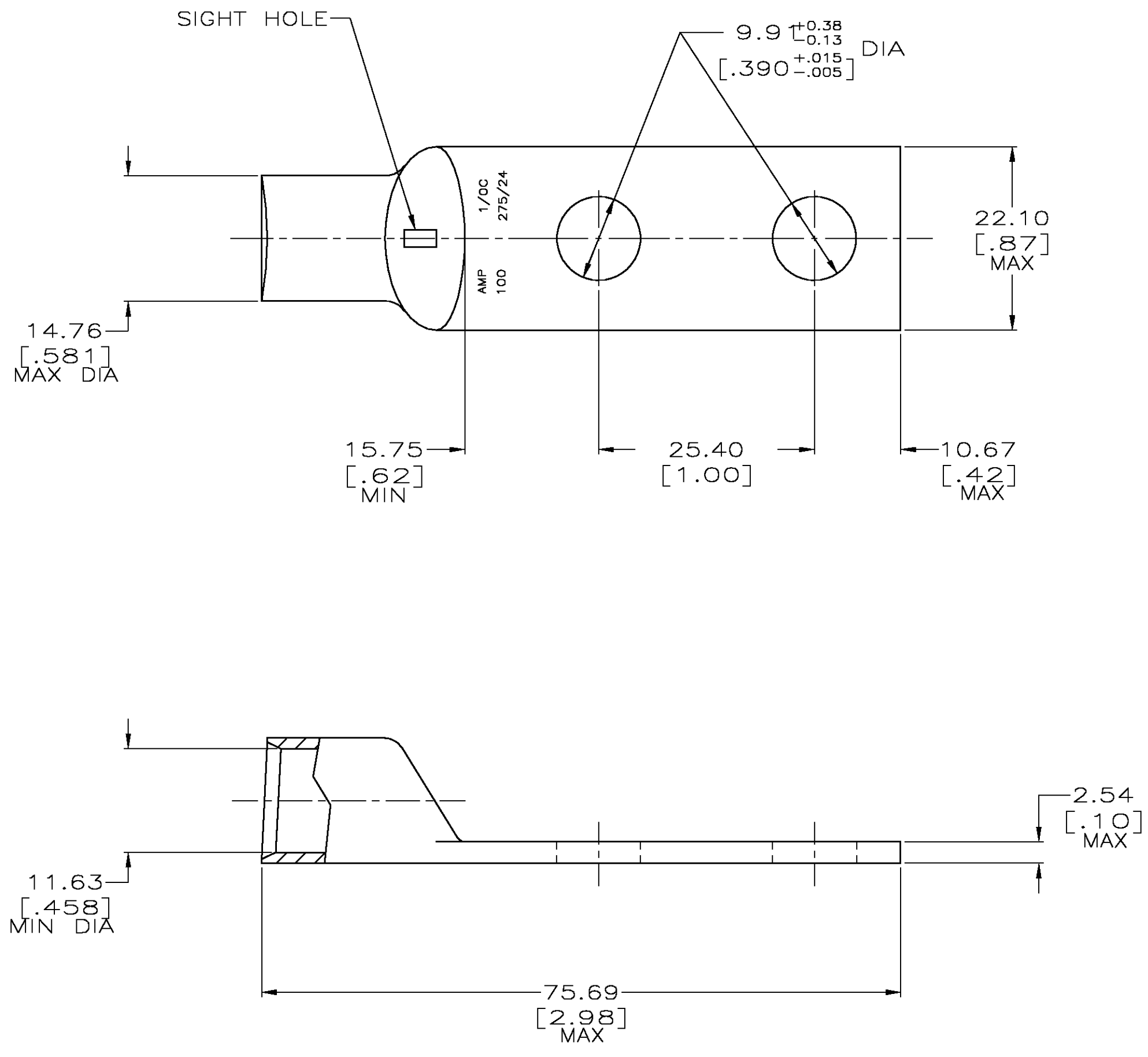


DRAWING MADE IN THIRD ANGLE PROJECTION

THIS DRAWING IS UNPUBLISHED. RELEASED FOR PUBLICATION .19
 © COPYRIGHT 19 BY AMP INCORPORATED. ALL INTERNATIONAL RIGHTS RESERVED.

LOC		DIST		ZONE		LTR		REVISIONS		DATE	APPD
G	86	P	F			W		REV PER 0G3A-0786-03	08DEC03	MS	



- 1 CIRCULAR MIL RANGE: 83,700-119,500 CM
- 2 TIN PL 0.00381[.000150] MIN THK PER ASTM B-545
- 3 CLEANED, UN-PLATED

3	326800-8
2	326800
FINISH	PART NO

DO NOT SCALE PRINT. UNLESS SPECIFIED DIMENSIONS IN mm [INCHES] TOLERANCES ON : 2 PLC DEC ± 0.51[.020] 3 PLC DEC ± - ANGLES ± -	DR 02/28/90 DK SCHRUM	AMP INCORPORATED Harrisburg, Pa. 17105
	CHK 31AUG94 MS FEHER	
MATERIAL ANNEALED COPPER ASTM B-75	APPD 31AUG94 WJ VOCKROTH	NAME TERMINAL, AMPOWER, WIRE SIZE: 1/0 AWG
	APPD 31AUG94 TL SHUTTER	
FINISH SEE TABLE	PRODUCT SPEC -	SIZE C
	APPLICATION SPEC -	CAGE CODE 00779
	WEIGHT .060 LB	DRAWING NO 326800
		SCALE 2:1
		SHEET 10F 1

METRIC