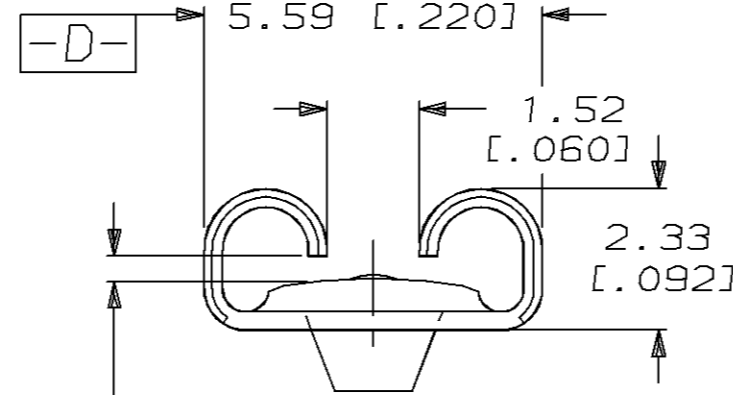
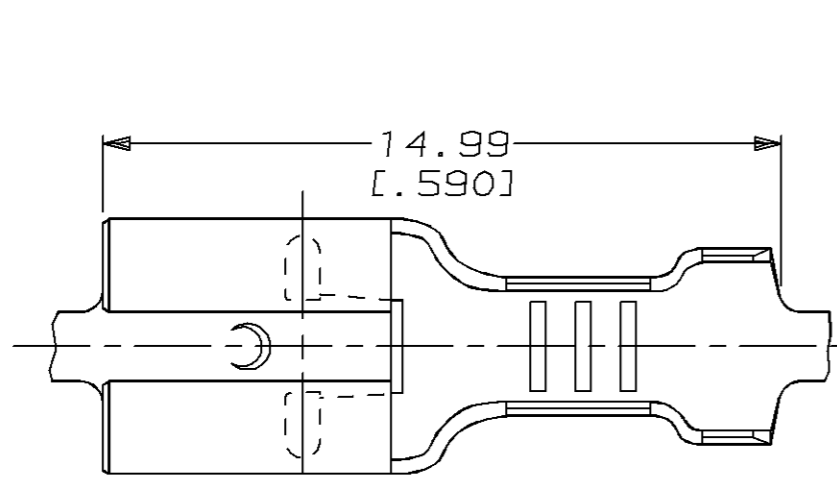


THIS DRAWING IS UNPUBLISHED. RELEASED FOR PUBLICATION, 19 .  
 © COPYRIGHT 19 BY AMP INCORPORATED. ALL INTERNATIONAL RIGHTS RESERVED.

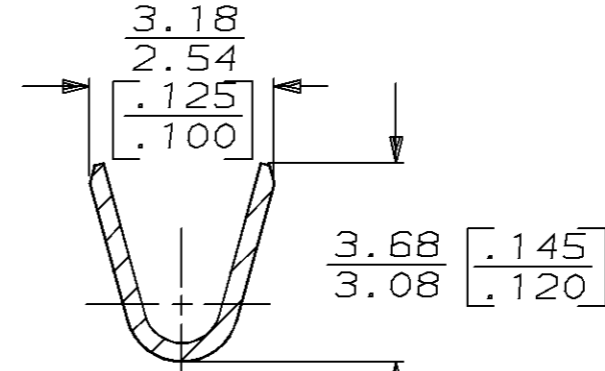
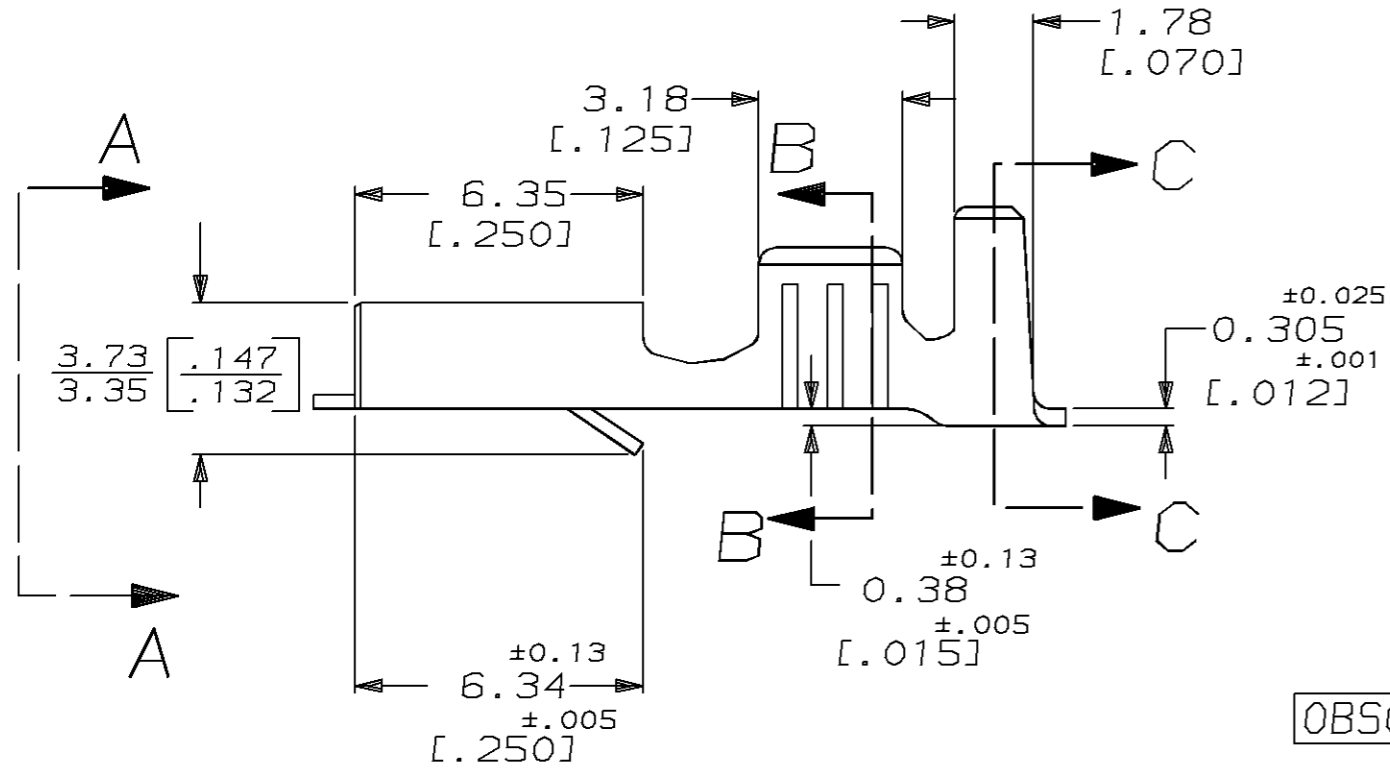
LOC	DIST	P	F	REVISIONS				
AF	50			ZONE	LTR	DESCRIPTION	DATE	APPD
					L	REV PER 0710-0324-95	9/14/95	JR/JG



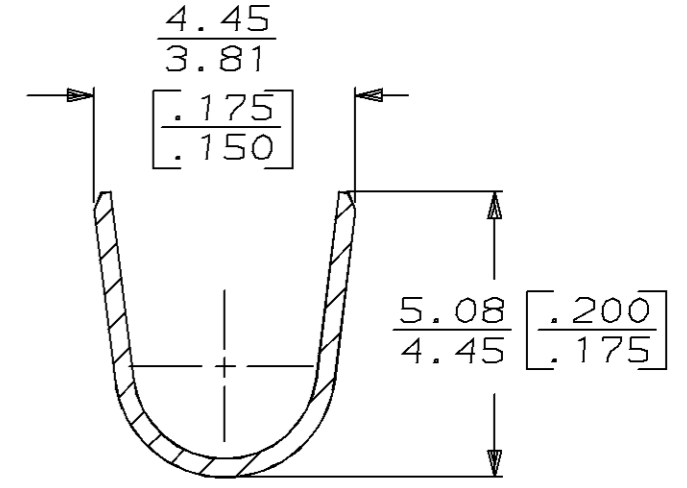
1 CONTINUOUS STRIP ON REELS

FITS 4.75 [.187] SERIES FASTON TAB

VIEW A-A  
SCALE 8:1



SECTION B-B  
SCALE 8:1



SECTION C-C  
SCALE 8:1

OBSOLETE	TIN	2.28 - 3.30 [.090 - .130]	0.3 - 1.4mm <sup>2</sup> [22-16]	0.51 [.020]	<del>62529-2</del> 62529-1
	FINISH	INSUL RANGE	WIRE SIZE	MATING TAB THK ±0.025 [.001]	PART NO

DO NOT SCALE PRINT. UNLESS SPECIFIED DIMENSIONS IN mm [INCHES] TOLERANCES ON: 2 PLC DEC ± - 3 PLC DEC ± 0.38 [.015] ANGLES ± -	DR	5/9/90 JR RUTH
	CHK	5/9/90 MS FEHER
	APPD	5/9/90 J GILLESPIE
	APPD	5/9/90 R KUZO
MATERIAL	#4H BRASS	
FINISH	SEE TABLE	
	PRODUCT SPEC	-
	APPLICATION SPEC	-
	WEIGHT	-

AMP INCORPORATED Harrisburg, Pa. 17105		
NAME RECEPTACLE, FASTIN-FASTON, .187 SERIES		
SIZE <b>B</b>	CAGE CODE 00779	DRAWING NO 62529
SCALE 6:1	SHEET 1 OF 1	

