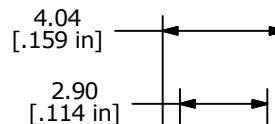
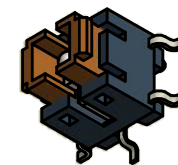
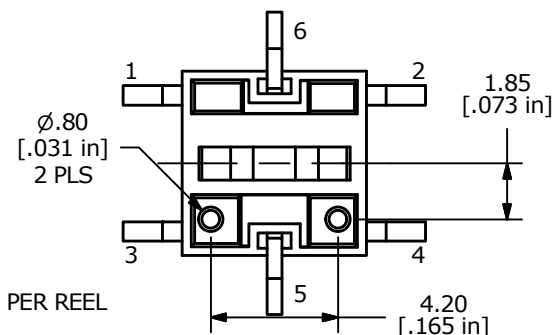
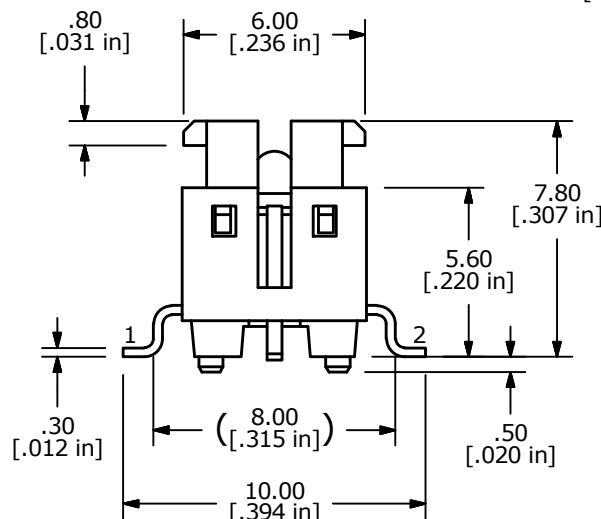
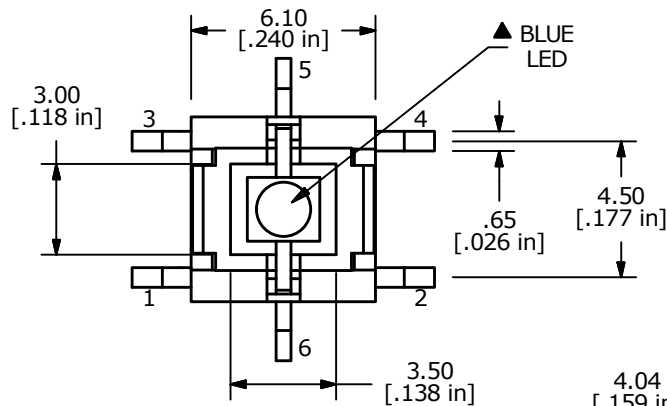
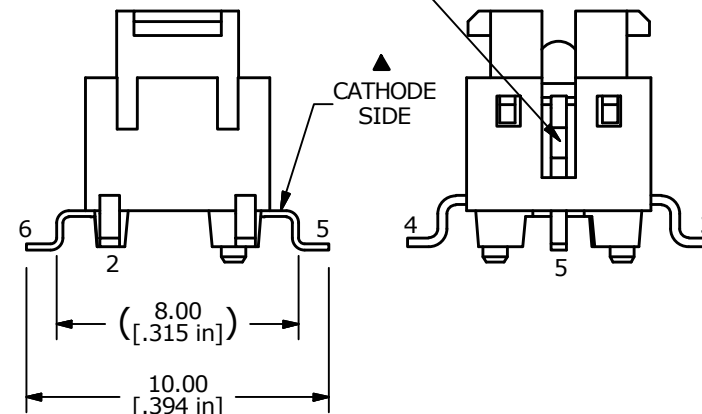


- NOTES:**
1. ALL DIMENSIONS IN MM [INCH]
 2. GENERAL TOLERANCE: X.X=±0.4
X.XX=±0.25
 3. CONTACT RATING: 50mA @ 12VDC
 4. CONTACT RESISTANCE: 100 mΩ MAX.
 5. INSULATION RESISTANCE: 100MΩ MIN @ 500VDC.
 6. OPERATING FORCE: 160 ± 50gf
 7. TRAVEL: 0.2 ± 0.1mm
 8. OPERATING TEMPERATURE: -25°C TO + 70°C
 9. OPERATING LIFE: 500,000 CYCLES
 10. LED: BLUE
 11. ▲ DENOTES CRITICAL PARAMETERS
 12. ▲ 2002/95/EC (ROHS) COMPLIANT
 13. PARTS TO BE PACKAGED IN TAPE & REEL, 450 PIECES PER REEL



▲ COLOR MARK ON CATHODE LEAD

▲ CATHODE SIDE



▲ LED SPECS	UNITS	BLUE
FORWARD CURRENT	mA	20
FORWARD VOLTAGE @ 20mA	V	3.0 TYP; 3.6 MAX
LUMINOUS INTENSITY @ 20mA	mcd	1100 TYP

C	22522	update LED spec and Note 9	9/22/16	MW
B	20570	Chg T&R qty from 500 to 450	4/25/12	rc
A	20373	New Release	12/12/11	rc
REV	PCR NO	DESCRIPTION	DATE	BY

TITLE TL3240F160B				
SCALE	DATE	DR	DWG	REV
4:1	12/12/2011	rc	N324002	C