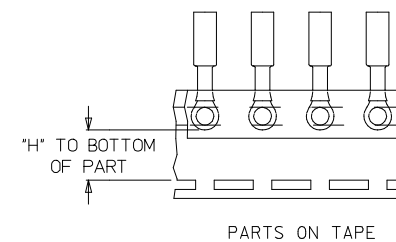
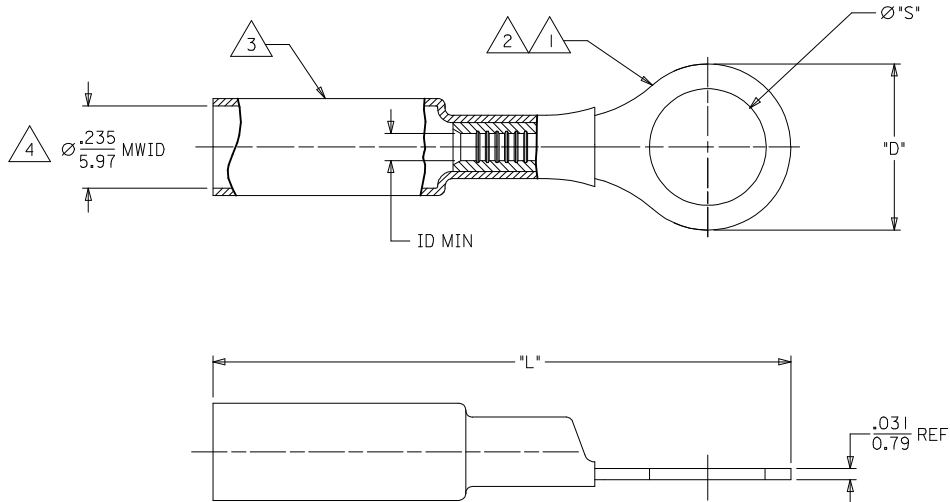


| MATERIAL NUMBER | ENGINEERING NUMBER | MATERIAL NUMBER ON TAPE | ENGINEERING NUMBER ON TAPE | STUD SIZE | "S" ±.005/0.03 | "D" MAX | "H" ±.010/0.25 | "L" MAX | ID MIN (C2) |
|-----------------|--------------------|-------------------------|----------------------------|-----------|----------------|------------|----------------|------------|-------------|
| 191640031 | SB-237-04 | 191640941 | SB-237-04T | #4 | .119/3.02 | .320/8.17 | .527/13.39 | 1.45/36.8 | .082/2.08 |
| 191640032 | SB-237-06 | 191640310 | SB-237-06T | #6 | .146/3.71 | .320/8.17 | .527/13.39 | 1.45/36.8 | .082/2.08 |
| 191640033 | SB-237-08 | 191640311 | SB-237-08T | #8 | .173/4.39 | .320/8.17 | .527/13.39 | 1.45/36.8 | .082/2.08 |
| 191640034 | SB-237-10 | 191640312 | SB-237-10T | #10 | .198/5.03 | .320/8.17 | .527/13.39 | 1.45/36.8 | .082/2.08 |
| 191640025 | SB-225-10 | 191640940 | SB-225-10T | #10 | .198/5.03 | .475/12.07 | .338/8.59 | 1.63/41.4 | .082/2.08 |
| 191640026 | SB-225-14 | 191640308 | SB-225-14T | 1/4 | .265/6.73 | .475/12.07 | .338/8.59 | 1.63/41.4 | .082/2.08 |
| 191640027 | SB-225-56 | 191640309 | SB-225-56T | 5/16 | .328/8.33 | .475/12.07 | .338/8.59 | 1.63/41.4 | .082/2.08 |
| 191640020 | SB-218-38 | 191640307 | SB-218-38T | 3/8 | .390/9.91 | .544/13.82 | .340/8.64 | 1.68/42.67 | .082/2.08 |



NOTE:

- 1. TERMINAL MATERIAL: COPPER ALLOY
- 2. FINISH: ELECTRO TIN PLATE.
- 3. INSULATION MATERIAL: HEAT SHRINKABLE TUBING WITH HOTMELT ADHESIVE INNER LINER. COLOR: BLUE
- 4. MWID = MAXIMUM WIRE INSULATION DIAMETER.
- 5. PARTS ARE RoHS COMPLIANT.

SALES DRAWING

| | | | | | | | |
|---|-------------------------------|---------------------------------------|-------|--------------------------|--------------------|---|------------------------------|
| CORRECTED IN MIN EC NO: IPG2013-1941 DRAWN: GROSASO1 2013/06/13 CHKD: JACNEIL 2013/06/13 APPR: JACNEIL 2013/07/09 | QUALITY SYMBOLS ▽=0 ▽=0 | GENERAL TOLERANCES (UNLESS SPECIFIED) | | DIMENSION STYLE IN/MM | SCALE --- | DESIGN UNITS INCH | THIRD ANGLE PROJECTION |
| | | 4 PLACES ± --- | ± --- | DRAWN BY BENDERLE | DATE 2002/08/26 | TITLE RING TONGUE TERMINAL PERMA-SEAL NIAC 16-14 AWG | |
| C2 | REV | 3 PLACES ± --- | ± --- | CHECKED BY HBEITZEL | DATE 2002/08/26 | MATERIAL NO. SD-19164-026 | DOCUMENT NO. SD-19164-026 |
| | | 2 PLACES ± --- | ± --- | APPROVED BY RDEROSS | DATE 2002/08/26 | | |
| DRAFT WHERE APPLICABLE MUST REMAIN WITHIN DIMENSIONS | | ANGULAR ± ---° | | SEE CHART | | THIS DRAWING CONTAINS INFORMATION THAT IS PROPRIETARY TO MOLEX INCORPORATED AND SHOULD NOT BE USED WITHOUT WRITTEN PERMISSION | |